

## Panel mounted voltage transformers

### Product Overview

Single phase transformers with standard 230Vac input primary winding and 24Vac output. Designed for use in low voltage circuits where galvanic isolation is required. e.g BMS and HVAC control panels.



### Products Features

- Panel mount
- Inter-winding screen for reduced EMI
- Excellent output regulation
- Compact size

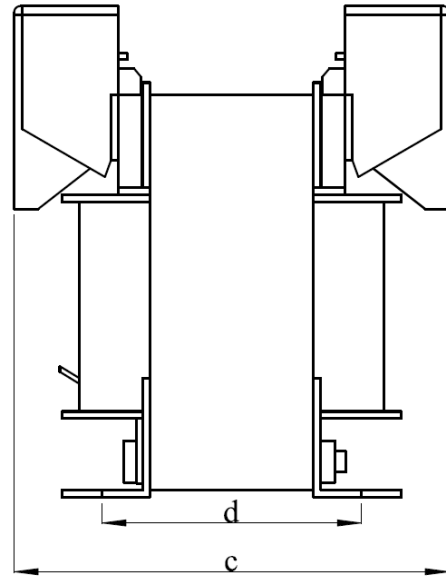
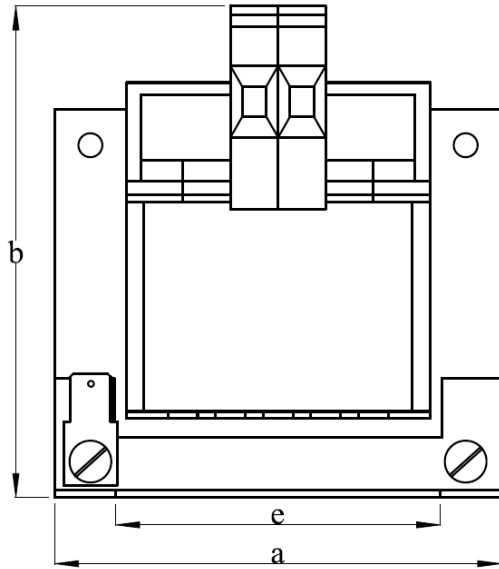
### Product Specifications

Rated input voltage:		230Vac
Rated input frequency:		50...60 Hz
No of secondary windings:		1
Output voltage:		24Vac
Voltage regulation:	AX-TX-025P	8%
	AX-TX-050P	10.4%
	AX-TX-100P	6.8%
Transformer class (IEC61558 ):		Class I
Insulation class:		Class A
Isolation:	Primary to secondary	3KV
	Screen to primary	3KV
	Screen to secondary	3KV
Short circuit protection:		No. To be provided externally.
Terminals:	Input	4mm <sup>2</sup> screw terminals ( Suitable for AWG22 to AWG10)
	Output	4mm <sup>2</sup> screw terminals ( Suitable for AWG22 to AWG10)
	Earth	6.3 x 0.8mm Faston
Maximum temperature rise:		50°C max
Ambient operating temperature:		-20°C to +40°C
Storage temperature:		-40°C to +85°C
Compliance:		CE , EU RoHS
Country of origin:		UK

### Order Codes

Part number	Description
AX-TX-025P	Voltage Transformer, Panel mount, 230Vac-24Vac / 25VA
AX-TX-050P	Voltage Transformer, Panel mount, 230Vac-24Vac / 50VA
AX-TX-100P	Voltage Transformer, Panel mount ,230Vac-24Vac / 100VA

## Panel mounted voltage transformers

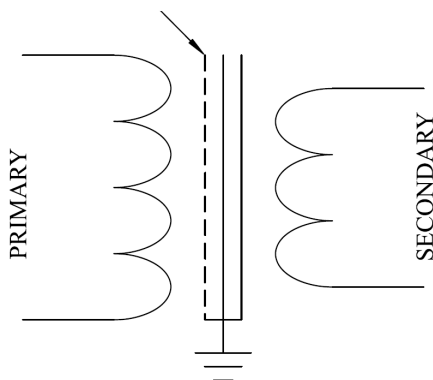


Order code	Physical dimensions in mm ( $\pm 0.5\text{mm}$ )			Mounting dimensions in mm ( $\pm 0.5\text{mm}$ )		Mounting screw	Weight (gms)
	a	b	c	d	e		
AX-TX-025P	76	82	73	44.5	54.5	#10	980
AX-TX-050P	76	82	73	44.5	54.5	#10	1060
AX-TX-100P	85	88.5	91	64.5	59.5	#10	2020

### Dimensions (mm)

### Overload protection

INTER-WINDING SCREEN



The transformer must be protected against the overload and/or short-circuit. Failure to do so could result in fires and injuries. The recommended ratings (as per NEC 450.3) for the fuses on the primary and secondary sides are as follows.

Order code	Primary side fuse	Secondary side fuse
AX-TX-025P	0.4A	1.6A
AX-TX-050P	0.63A	3.5A
AX-TX-100P	1A	6.3A

### Datasheet Contents

Every effort has been taken in the production of this data sheet to ensure accuracy. Annicom do not accept responsibility for any damage, expense, injury, loss or consequential loss resulting from any errors or omissions. Annicom has a policy of continuous improvement and reserves the right to change this specification without notice.

Note that the above ratings are meant for protecting the transformer and not the load connected at the secondary.