

### Product Overview

The AX-TE-xTX-W is a range of Active Temperature Transmitters with both 0-10Vdc and Loop Powered 4-20mA outputs. The units have selectable output ranges from -50°C to 400°C, available in immersion, wall mount and strap on types.

Easy to configure, with jumper selection for all options.



### Products Features

- Loop powered 4-20mA output.
- Voltage output 0-10Vdc or 0-5Vdc.
- Covers -50°C to 400°C
- Multiple temperature ranges.
- Wide array of mounting options
- IP65 enclosure for electronics

### Product Specifications

Output:	Voltage output mode - 0-5Vdc / 0-10Vdc at 5mA maximum. Current output mode - 4-20mA maximum resistance of load 500Ω
Power Supply:	Voltage output mode - 24Vdc or 24Vac (±15%) Current output mode - 24Vdc (±15%) 2-wire Loop power
Power Consumption:	40mA maximum for voltage output 20mA maximum when loop powered
Materials:	Housing: Flame retardant ABS plastic Probe: Dependant on sensor option Gland: Polyamide
Terminals:	Rising clamp for 0.5-2.5mm <sup>2</sup> cable
Cable Entry:	M20 Compression Gland
Ambient Temperature:	0-50°C for electronics
Dimensions:	Common Enclosure Dimensions are on Page 3
Weight:	150grams excluding mounting option
Ingress Protection:	IP65
Country of Origin:	United Kingdom

### Product Order Codes

Order Code	Description
AX-TE-DTX-W	Duct - 150mm Probe - Wide Range Temperature Transmitter
AX-TE-FTX-W	Flying Lead - 2 Meter - Wide Range Temperature Transmitter
AX-TE-ITX-W	Immersion- 150mm Probe - Wide Range Temperature Transmitter
AX-TE-OTX-W	Outside Air - Wide Range Temperature Transmitter
AX-TE-STX-W	Strap On - 2 Meter - Wide Range Temperature Transmitter
AX-TE-TTX-W	White Thimble - 1 Meter - Wide Range Temperature Transmitter

**Add “-65” after part number for 65mm Probe option**

### Installation

The AX-TE-xTX-W should be installed by a suitably qualified technician in conjunction with any guidelines for the equipment which it is to be connected to. Field wiring should be installed to satisfy the requirements set out by the manufacturer of the equipment that the module is being connected to using screened cable where necessary.

### Connections

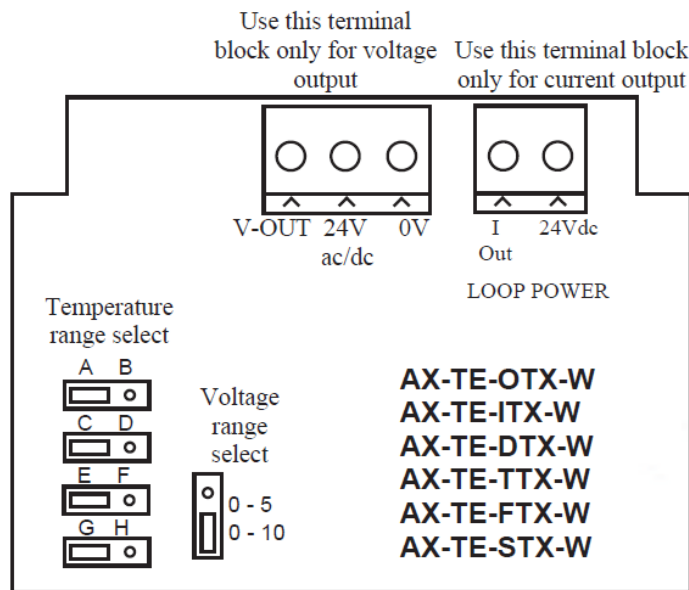
Only make connections to one of the terminal blocks. Only apply power to the unit when all connections and jumper settings have been completed.

For current operation use the 2-way terminal block. 24Vdc loop power is connected to 24Vdc terminal. The current output is taken from I-OUT terminal into the measuring device. In this mode the 0-10V output is disabled and the unit controls the supply current between 4-20 mA.

For voltage operation use the 3-way terminal block. 24Vac or 24Vdc supply is connected to 24V and the return 0V is connected to 0V. The voltage output is taken from V-OUT. The Voltage range jumper is used to select between 0-5V and 0-10V outputs.

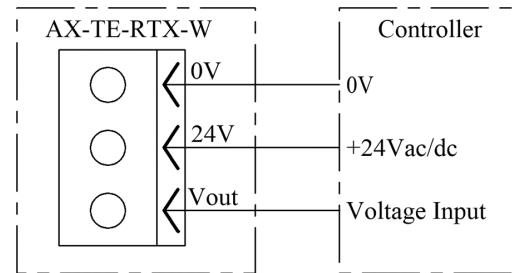
### Fault Condition

When a sensor fault is detected the output will reduce to 0V or 3mA depending on the operating mode.

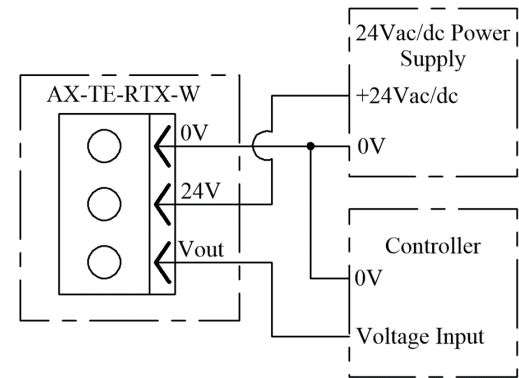


### Wiring Example

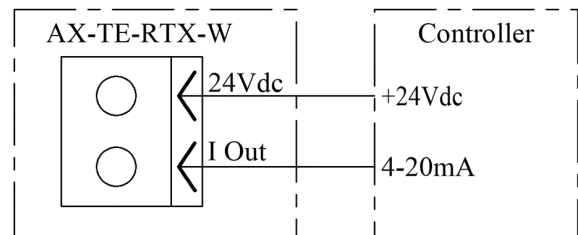
Voltage output, with power from controller



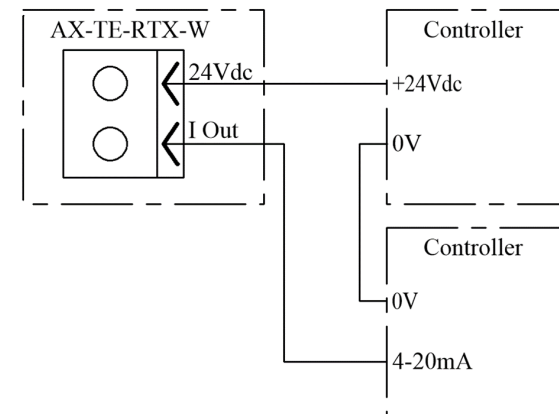
Voltage output, with external power



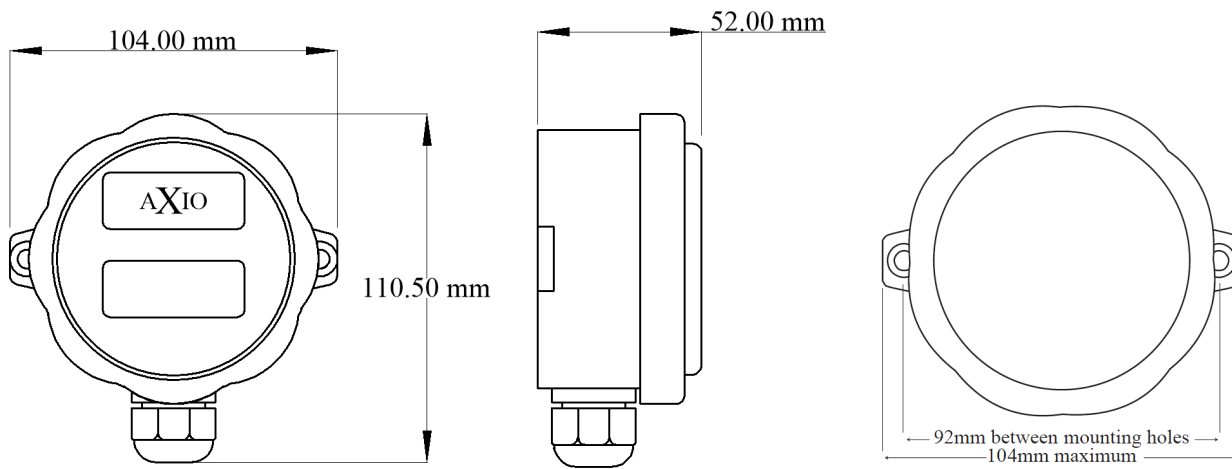
4-20mA output, with power from controller



4-20mA output, with external power



### Dimensions



### Jumper Positions

Jumpers Range	Temperature Range
ACEG	-50°C to 50°C
BCEG	0°C to 100°C
ADEG	50°C to 150°C
BDEG	100°C to 200°C
ACFG	150°C to 250°C
BCFG	200°C to 300°C
ADFG	250°C to 350°C
BDFG	300°C to 400°C
ACEH	-10°C to 40°C
BCEH	-30°C to 160°C
ADEH	0°C to 50°C
BDEH	-10°C to 60°C
ACFH	-20°C to 70°C

### Voltage Output Range

0 - 5.0 to 5Vdc

0 - 10.0 to 10Vdc

### Datasheet Contents

Every effort has been taken in the production of this data sheet to ensure accuracy. Annicom Ltd do not accept responsibility for any damage, expense, injury, loss or consequential loss resulting from any errors or omissions. Annicom Ltd has a policy of continuous improvement and reserves the right to change this specification without notice.