

Product Overview

The AX-TE-DAVA is a wide range duct averaging temperature device with an aluminium probe. The temperature range covers -40°C to 130°C. Four aluminium probe lengths are available, with side or bottom entry option.



Products Features

- IP65 Housing
- PT100 / PT1000 true averaging
- 10K3A1 9 point averaging
- Probe lengths 1800, 3600,3700, 6000, 7300mm
- Flexible 5mm aluminium tube
- Flame retardant ABS plastic

Product Specifications

Accuracy:	PT100, PT1000 Class B (True Averaging) 10K3A1 0°C to 70°C ±0.2°C (9 Point Averaging)
Materials:	Flame retardant ABS plastic Aluminium
Ambient Temperature Range:	Housing: -10°C to 50°C Probe: -40°C to 130 °C
Terminals:	Rising Clamp for 0.5-1.5mm ² Cable
Dimensions:	Housing: 92mm diameter x 52mm height Probe: 5mm diameter x 1800, 3600, 6000, 7200 (8mm tip diameter)
Protection:	IP65
Weight:	260 Grams
Country of Origin:	UK

Order Codes

Cable Length	Cable Type	Aluminum	Nylon	PVC	Nylon Tx	PVC Tx
1800	Siemens		AX-TE-DAVFN-S1800	AX-TE-DAVFP-S1800		
3600	Siemens		AX-TE-DAVFN-S3	AX-TE-DAVFP-S3		
1800	10K3A1		AX-TE-DAVFN-T1800	AX-TE-DAVFP-T1800		
3600	10K3A1		AX-TE-DAVFN-T3	AX-TE-DAVFP-T3		
1800	PT100				AX-TE-DAVFNTX-W-1800	AX-TE-DAVFPTX-W-1800
3600	PT100				AX-TE-DAVFNTX-W-3	AX-TE-DAVFPTX-W-3
2400	10K3A1	AX-TE-DAVA-T2400				
3700	10K3A1	AX-TE-DAVA-T3700				
6000	10K3A1			AX-TE-DAVFNTX-W-6		
7300	10K3A1	AX-TE-DAVA-T7300				AX-TE-DAVFPTX-W-6

Installation

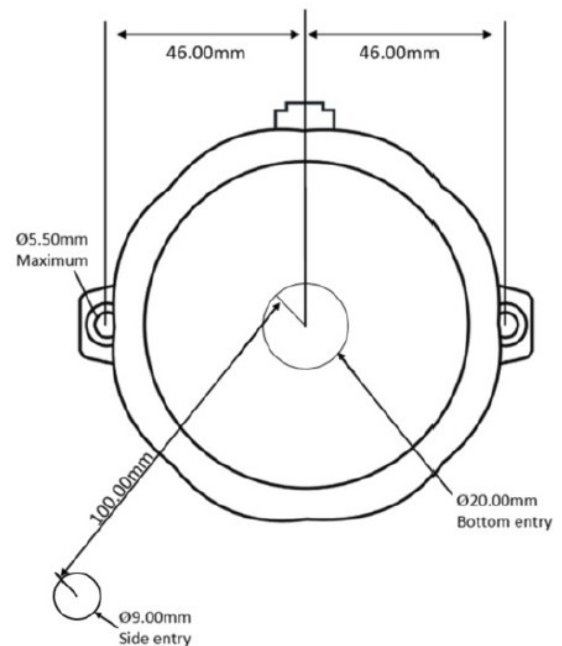
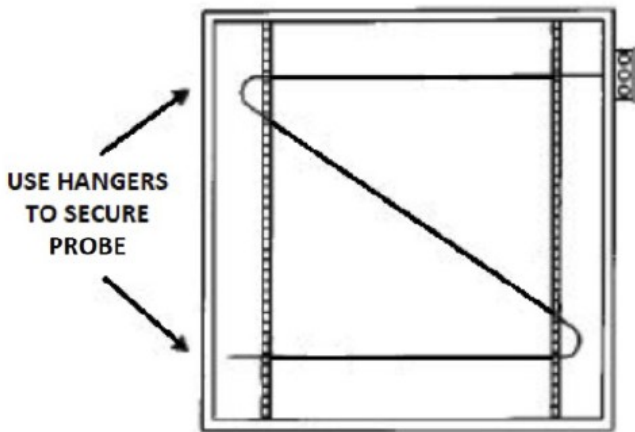
The AX-TE-DAVA sensor should be installed by a suitably qualified technician in accordance with any guidelines for the device and the equipment which is to be connected to. Field wiring should be installed to satisfy the requirements set out by the manufacturer of the equipment that the sensor is being connected to. As a general rule, screened cable should be used to connect the sensor to a BMS or other controller.

The flexible averaging sensors can be installed onto hangers in the duct using tube clamps or wire ties and should be located in a straight section of duct away from heating, cooling or humidifier elements. The flex duct sensor can be easily shaped to fit duct.

Connections

Passive sensors are polarity independent. Wires should be stripped and screwed into the two way terminal block in the main body of the sensor housing. Do not over-tighten the terminal screws as excessive force can cause damage to the terminal block and housing. If screened cable is used, the shortest possible section of outer sheath should be removed. As there is no earth connection in the sensor, the screen must be connected to a functional earth elsewhere (often provided at the BMS or HVAC controller) in accordance with the instructions for the equipment that the AX-TE-DAVA is to be connected to.

PLACEMENT OF A 12' DUCT AVERAGE SENSOR IN A 48" SQUARE DUCT



Bottom Entry



Datasheet Contents

Every effort has been taken in the production of this data sheet to ensure accuracy. Axio do not accept responsibility for any damage, expense, injury, loss or consequential loss resulting from any errors or omissions. Axio has a policy of continuous improvement and reserves the right to change this specification without notice.