



Product Overview

The AX-RSV-MxR range of Brass Rotary shoe valves are designed for use in heating systems for mixing or diverting applications where a certain amount of leakage is desirable. The valves come complete with female BSP threaded connections upto 50mm .

Note: these valves are not tight shut-off

Features

- Brass
- Good Control Characteristics
- Mixing or Diverting applications
- PN10

Product Specifications

Flow Type:		Mixing or Diverting
Fluid Temperature:		2 to 110 degC
Max Pressure Drop:		100kPa
Nominal Pressure:		PN10
Operating Pressure:		10 Bar
Leaky:	3 Port	1%
	4 port	1.5%
Rangeability:		100:1
Materials:	Body/Lid	Brass
	Gate/Spindle	Brass
	Lever	ABS
	O-Rings	EPDM
Country of Origin:		Switzerland

Brass Valves

AX-RSVM3R15F200	3 Port 15mm BSP Screwed Rotary Shoe Valve Kvs 2.5
AX-RSVM3R20F200	3 Port 20mm BSP Screwed Rotary Shoe Valve Kvs 6.0
AX-RSVM3R25F200	3 Port 25mm BSP Screwed Rotary Shoe Valve Kvs 12.0
AX-RSVM3R32F200	3 Port 32mm BSP Screwed Rotary Shoe Valve Kvs 18.0
AX-RSVM3R40F200	3 Port 40mm BSP Screwed Rotary Shoe Valve Kvs 26.0
AX-RSVM3R50F200	3 Port 50mm BSP Screwed Rotary Shoe Valve Kvs 40.0
AX-RSVM4R20F200	4 Port 20mm BSP Screwed Rotary Shoe Valve Kvs 6.0
AX-RSVM4R25F200	4 Port 25mm BSP Screwed Rotary Shoe Valve Kvs 12.0
AX-RSVM4R32F200	4 Port 32mm BSP Screwed Rotary Shoe Valve Kvs 18.0
AX-RSVM4R40F200	4 Port 40mm BSP Screwed Rotary Shoe Valve Kvs 26.0
AX-RSVM4R50F200	4 Port 50mm BSP Screwed Rotary Shoe Valve Kvs 40.0

Actuators- see relevant datasheet

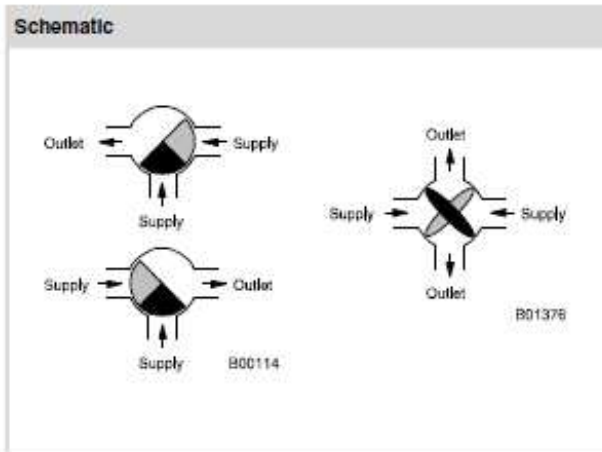
AX-DASM105SF132	5nm Proportional Damper actuator 24Vac c/w linkage kit
AX-DASM115SF132	10nm Proportional Damper actuator 24Vac c/w linkage kit
AX-DASM124SF132	15nm Proportional Damper actuator 24Vac c/w linkage kit

Operation

The hot-water inlet is continuously opened by turning the spindle, while the cold-water inlet (heating return) is closed proportionately. This cause the temperature of the mixed water to rise (heating flow) while the flow remains practically constant.

On closing the hot-water inlet on the four-way valve, a by-pass to the boiler return is opened, which allows thermal circulation.

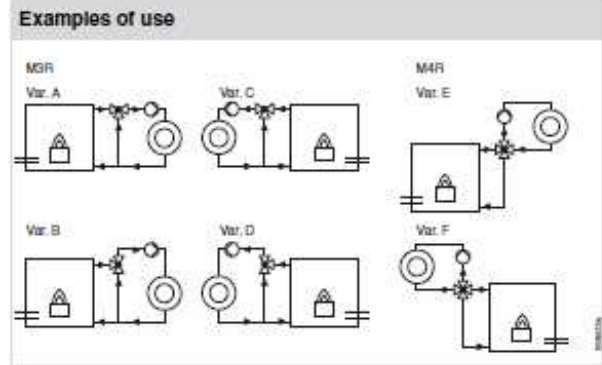
For automatic operation, a reversible drive with 90° angle of rotation is suitable. When the coupling is disengaged, the slider can be adjusted by hand.



Additional technical data

Body of brass, not injection-moulded. Tapped holes for fitting the bracket and the motor drive. Lever for manual adjustment, of ABS Scale, printed on both sides, for the following types of fitting: Boiler flow from left or right.

The ABS lever is supplied with the valve.



Engineering and fitting notes

All control valves should be used only in closed circuits. If used in open circuits, an excessive oxygen mixture may damage the valves. To prevent this from happening, use an oxygen binding agent, but consult the manufacturer of the binding agent with regard to compatibility and corrosion. Consult the material list, see MD 54.026. The composition of the water should be in accordance with VDI 2035.

Using with water

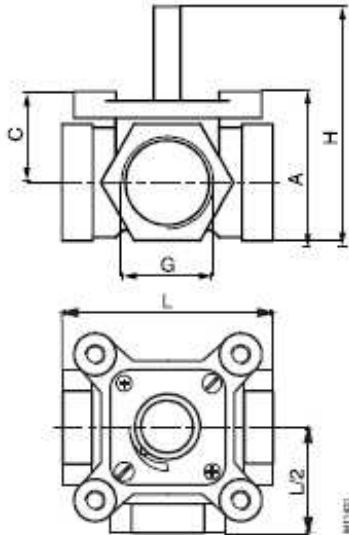
When using water, mixed with glycol or an inhibitor, consult the manufacturer with regard to the compatibility of the materials and seals used in the control valves. Please refer to the materials list below. If glycol is used, we recommend a concentration of between 20% and 50%.

Permissible fitting positions

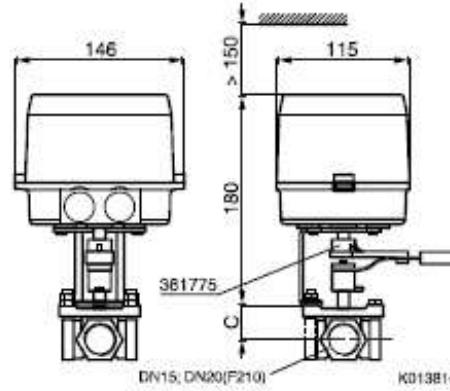
The control unit can be fitted in any position; however, we do not recommend fitting it in the upside-down position. The ingress of condensate, drops of water etc. into the drive should be prevented.

Dimension drawing M3R

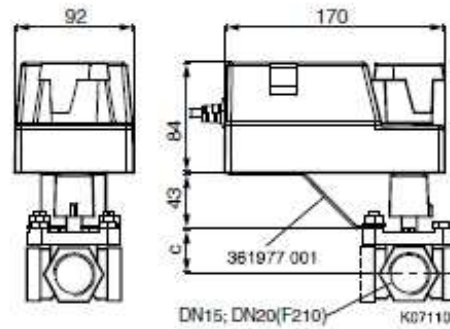
DN 15...50



M3R three-way valve with AR30 actuator

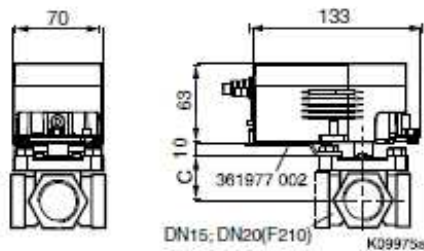


M3R three-way valve with ASM124 actuator



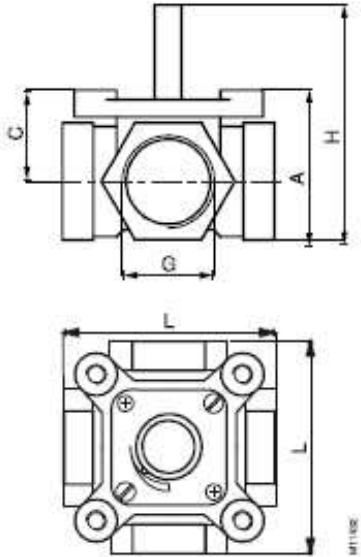
DN	G	L	A	H	C
15	Rp 1/2	80	51.5	79.5	34.5
20	Rp 3/4	80	51.5	79.5	34.5
25	Rp 1	82	62	90	37
32	Rp 1 1/4	85	62	90	37
40	Rp 1 1/2	116	73,5	101,5	41
50	Rp 2	125	76,5	104,5	41

Three-way valve with ASM105/115 actuator

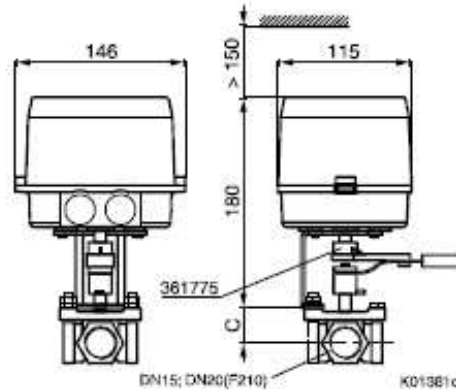


Dimension drawing M4R

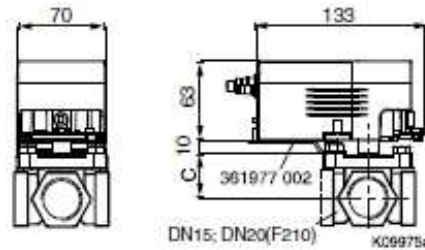
DN 20...50



M4R four-way valve with AR30 actuator



M4R four-way valve with ASM105/115 actuator



DN	G	L	A	H	C
20	Rp 3/4	80	51.5	79.5	34.5
25	Rp 1	88	62	90	37
32	Rp 1 1/4	85	62	90	37
40	Rp 1 1/2	116	73,5	101,5	41
50	Rp 2	125	76,5	104,5	41

Four-way valve with ASM124 actuator

M4R four-way valve with ASM124 actuator

