

AX-RM2T

Two Stage Relay Module with Timer

AXIO



Product Overview

The Axio AX-RM2T converts a 0-10Vdc control signal into 2 relay outputs. The module has 4 selectable modes: Raise/Lower, High/Low or Binary with or without stage delays, or as a timer module. The AX-RM2T is powered by 24Vac or 24Vdc. Jumpers for Auto/Hand/Off are provided to aid commissioning. Two LEDs indicate the individual relay states. The module is supplied in a DIN rail carrier for mounting on TS35 section DIN rail and features high quality rising clamp terminals for ease of connection.

Features

- 0-10 volt dc input
- 2 SPCO relay outputs
- Auto/Hand/Off override
- Raise/Lower, High/Low, Binary and Timer functions
- Adjustable Timer Range
- LED indication of relay status
- DIN rail carrier as standard (TS35 DIN rail)
- High quality rising clamp terminals

Product Specifications

Input Signals	Control: 0-10Vdc at 1mA maximum
Output Contacts	2 SPCO relays. NO contact 12A, NC contact 3A, 250Vac resistive load
Power Supply	24Vac \pm 10% at 95mA maximum 24Vdc \pm 10% at 45mA maximum
Modes of Operation	Raise/Lower, High/low, Binary and Timer
Manual Override	Auto / Hand (On) / Off
LED Indicators	On when relay energised
Timer	AX-RM2T:- 0-30 seconds per stage AX-RM2T/2:- 0-240 seconds per stage
Terminals	Rising clamp for 0.5-2.5mm ² cable
Ambient Temperature Range	0°C to 50°C
Dimensions / Weight	46(W) x 82(H) x 43(D)mm / 75gms
Country of Origin	United Kingdom

Order Codes

AX-RM2T	Two Stage Relay Output Module with Timer 0-30 seconds
AX-RM2T/2	Two Stage Relay Output Module with Timer 0-240 seconds

© Copyright Annicom. All Rights Reserved

Annicom Ltd

Unit 21, Highview, Bordon, Hampshire. GU35 0AX

Tel: +44 (0)1420 487788 Fax: +44 (0)1420 487799

Email: sales@annicom.com Website: www.annicom.com

Installation

The AX-RM2T should be installed by suitably qualified technician in conjunction with any guidelines for the equipment it is to be connected to and any local regulations. Field wiring should be installed to satisfy the requirements set out by the manufacturer of the equipment that the module is being connected to.

Description and Connections

Modes

The AX-RM2T offers a choice of three relay operating modes, and two Timer modes. The modes are selected by the 3-position Function Link.

Output

The output table (Tables 1 and 2) show the switching actions provided by the different modes, referred to the input voltages. The relay off state is shown by a small dash.

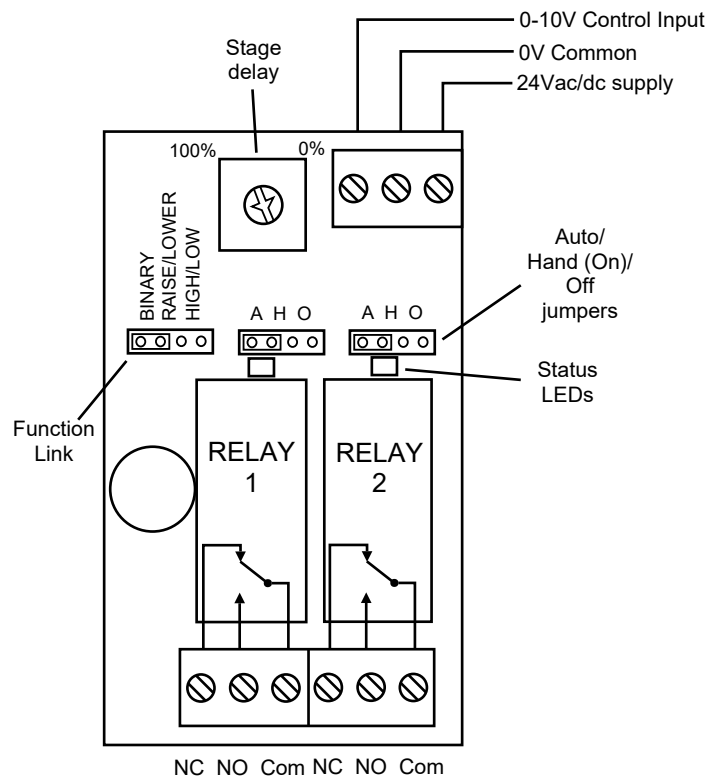
Stage delay (0 to 30, or 0 to 240 seconds)

Provides an adjustable time delay between stages switching on and off. Units are provided factory set with the no delay - i.e. the control is set fully anticlockwise.

This control also provides the delay start time setting for the two Power on modes.

Timer Mode

With 2 jumpers fitted to the Function Link (as shown), the module operates as a single or 2-stage Timer. The unit now operates without a 0-10V control signal, and the delay time is set by using the Stage Delay pot.



Input	Relay 1 (Low)	Relay 2 (High)
0	-	-
5	On	-
10	On	On

Input	Binary		Raise/Lower	
	Relay 1	Relay 2	Relay 1 (Lower)	Relay 2 (Raise)
0	-	-	-	-
4	On	-	On	-
7	-	On	-	-
10	On	On	-	On

Datasheet Contents

Every effort has been taken in the production of this data sheet to ensure accuracy. Axio do not accept responsibility for any damage, expense, injury, loss or consequential loss resulting from any errors or omissions. Axio has a policy of continuous improvement and reserves the right to change this specification without notice.