

AX-RM1AB-65

Adjustable Single Relay Module with Buffered Output

AXIO



Product Overview

The Axio AX-RM1AB-65 module provides a SPCO relay output from a 0 to 10 volt input signal. The relay switch on and switch off points are adjustable using the on-board presets. The AX-RM1AB-65 also provides a buffered slave 0 to 10 volt output signal to drive other modules etc. An AUTO/ON (HAND)/OFF jumper link is provided for commissioning or manual override purposes. The unit can be powered from 24Vdc or 24Vac. The AX-RM1AB-65 is supplied in an IP65 enclosure and features high quality rising clamp terminals for ease of connection.

Features

- 0-10Vdc input at low current
- SPCO volt free relay output
- Buffered slave 0-10Vdc output
- 24Vac/dc powered
- LED indication of relay status
- AUTO/ON (HAND)/OFF jumper link for commissioning
- High quality rising clamp terminals
- DIN rail carrier (TS35 DIN rail)

Product Specifications

Supply Voltage	24Vac or dc ($\pm 15\%$)
Supply Current	100mA on 24Vac / 30mA on 24Vdc maximum
Input	0-10 volts dc at 0.3mA maximum
Output	0-10 volts dc at 5mA maximum
Switch On Point	Adjustable 0.1 to 10Vdc
Switch Off Point	Adjustable 0.1 to Switch On point
Output Switching	Single Pole Changeover - 230Vac at 12amps (NO contact - Resistive load)
Terminals	Rising clamp for 0.5-2.5mm ² cable
LED Indicator	ON when relay energised
Ambient Temperature Range	0°C to 50°C
Housing	Flame retardant ABS, IP65, Black
Dimensions	92mm Diameter x 52mm (H)
Weight	145gms
Country of Origin	United Kingdom

Order Codes

AX-RM1AB-65 Adjustable single relay module with buffered output

© Copyright Annicom. All Rights Reserved

Annicom Ltd

Unit 21, Highview, Bordon, Hampshire. GU35 0AX

Tel: +44 (0)1420 487788 Fax: +44 (0)1420 487799

Email: sales@annicom.com Website: www.annicom.com

AX-RM1AB-65

Adjustable Single Relay Module with Buffered Output



Installation

The AX-RM1AB-65 should be installed by suitably qualified technician in conjunction with any guidelines for the equipment it is to be connected to and any local regulations. Field wiring should be installed to satisfy the requirements set out by the manufacturer of the equipment that the module is being connected to.

Operation and Connections

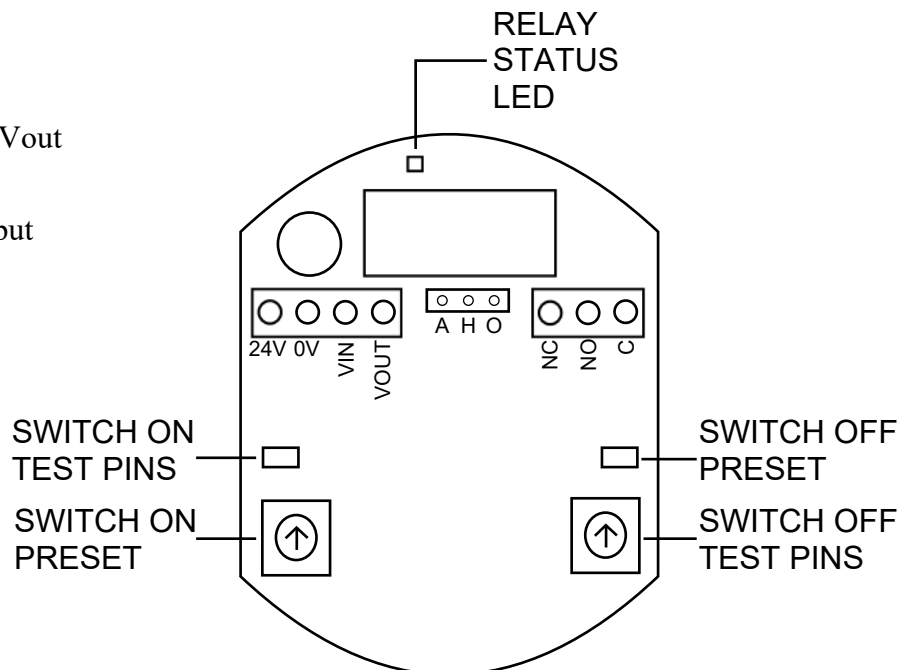
The AX-RM1AB-65 features fully independent adjustment of both the Switch On point and the Switch Off point, both of which can be accurately set with an external voltmeter connected to the test pins provided.

Set the Switch On point first, by connecting a voltmeter to the On test pins, and adjusting the On preset until the voltmeter displays the required On voltage. Then set the Switch Off point in the same way, using the Off test pins and the Off preset, until the voltmeter displays the required Off voltage.

24V Supply 24V AC/DC
0V 0V for Supply, Vin and Vout
VIN 0-10VDC Input Signal
VOUT 0-10VDC Buffered Output

C Common
NO Normally Open
NC Normally Closed

A Auto
H Relay ON
O Relay OFF



Datasheet Contents

Every effort has been taken in the production of this data sheet to ensure accuracy. Axio do not accept responsibility for any damage, expense, injury, loss or consequential loss resulting from any errors or omissions. Axio has a policy of continuous improvement and reserves the right to change this specification without notice.