

Product Overview

The AX-RAS-15A Spring Return Modulating damper actuators are designed for dampers in ventilation and air-conditioning systems. These 24Vac/dc operated actuators comes with 2 optional auxiliary SPDT switches.

The 15Nm damper actuator AX-RAS-15A with control of 0(2)-10V or 0(4)-20mA are used to regulate dampers up to approximately 2.5m².



Products Features

- Maximum shaft size ϕ 12mm (circular).
- Self Overload Protection.
- IP54.
- CE Compliant.

Product Specifications

Torque:	15Nm
Damper size:	2.5m ²
Running time:	Running: 110Sec, Spring Reset: 25Sec
Power supply:	24Vac 50/60Hz or DC 24V
Power consumption:	Runtime: 7W, Holding: 2W
Angle of rotation:	90° Max, (Mechanical Adjustment Option)
Life cycle:	60,000 cycles
Control Signals:	0(2)-10V or 0(4)-20mA
Auxiliary switch:	2x SPDT (optional)
Auxiliary switch rating:	3(1.5)Amp, 230V
Sound power level, motor:	Motor: 45dB, Spring Return: 62dB
Ingress protection:	IP54
Ambient temperature:	-20°C to 50°C
Storage temperature:	-40°C to 70°C
Humidity Test:	95 % RH (Non Condensing)
Unit Weight:	2.6 Kg
Compliance:	CE
Country Of Origin:	UK

Order Codes

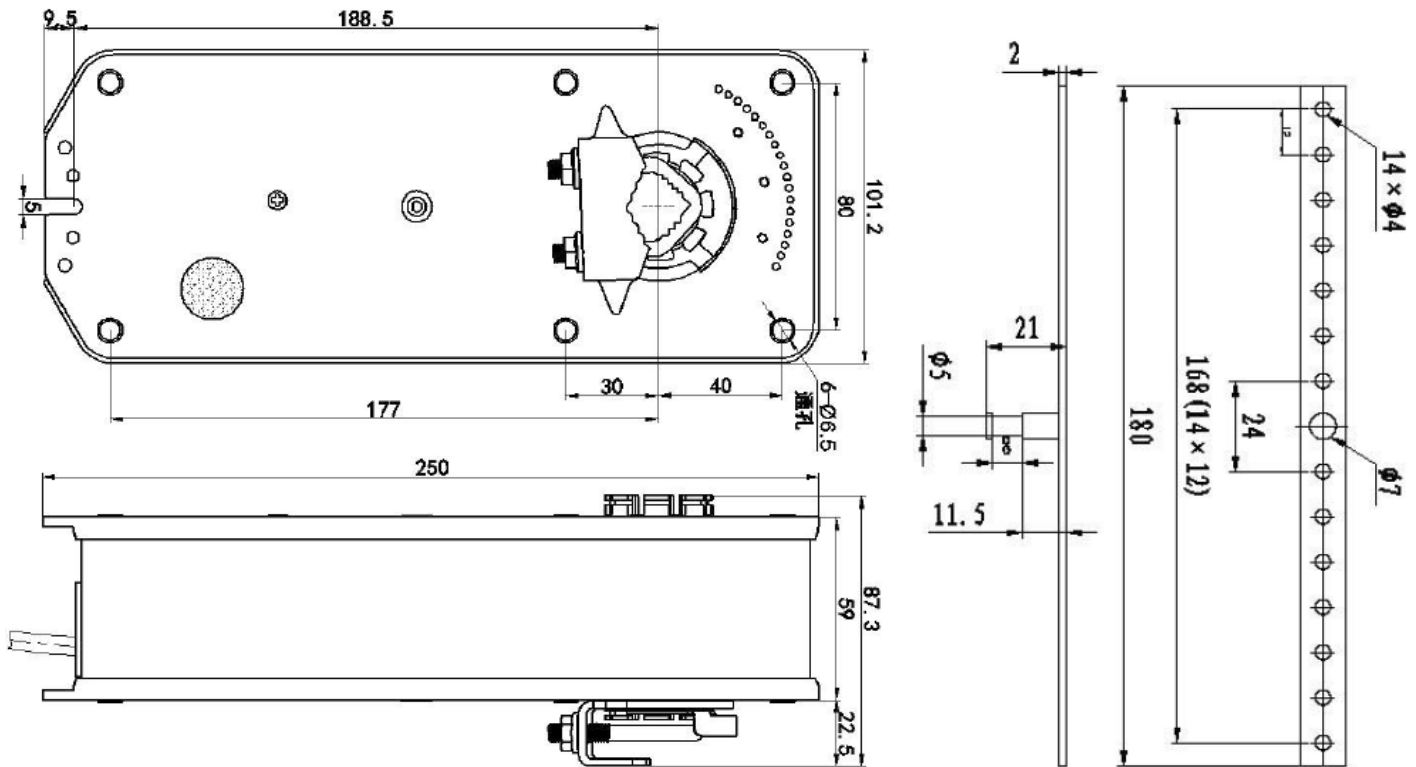
Part Number	Description
AX-RAS-15A	Damper Actuator Spring Return, Modulating, 24V, 15Nm
AX-RAS-15AS	Damper Actuator Spring Return, Modulating, 24V, 15Nm, 2 Aux switches

AX-RAS-15A



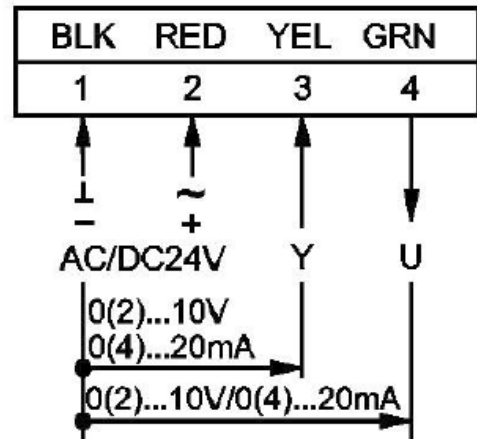
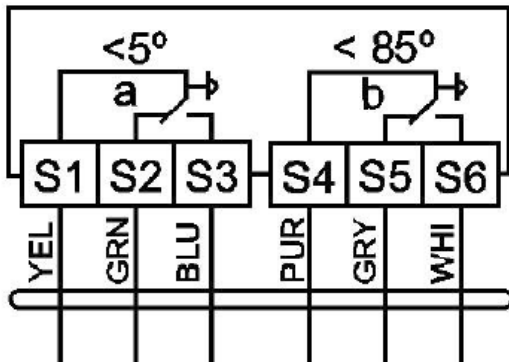
Damper Actuator, Spring Return, Modulating, 15Nm

Dimensions (mm)



Auxiliary Switch

Wiring Diagram



Datasheet Contents

Every effort has been taken in the production of this data sheet to ensure accuracy. Axio do not accept responsibility for any damage, expense, injury, loss or consequential loss resulting from any errors or omissions. Axio has a policy of continuous improvement and reserves the right to change this specification without notice.