

Product Overview

The AX-RA-02D On/Off or 2/3 Points damper actuators are designed for dampers in ventilation and air-conditioning systems. These 24Vac/dc & 230Vac operated actuators comes with one auxiliary SPDT switch.

The 2Nm damper actuator AX-RA-02D with control of On/Off or 2/3 Points are used to regulate dampers up to approximately 0.5m².



Products Features

- Manual control button available in casing.
- Self Overload Protection.
- Mechanical limit operator.
- CE Compliant.

Product Specifications

Torque:	2Nm
Damper size:	0.5m ²
Running time:	30 Sec
Power supply:	AC/DC 24V 50/60Hz OR AC 100-240V 50/60Hz
Nominal voltage range:	24Vac (AC/DC 19.2V-28.8V), 230Vac (AC 85V-265V)
Power consumption:	Runtime: 3W, Holding: 0.5W
Angle of rotation:	90° Max, (Mechanical Adjustment Option)
Life cycle:	60,000 cycles
Control Signals:	On/Off or 2/3 Points
Auxiliary switch:	1x SPDT
Auxiliary switch rating:	3(1.5)Amp, 230V
Sound power level, motor:	45dB
Ingress protection:	IP54
Ambient temperature:	-20°C to 50°C
Storage temperature:	-30°C to 80°C
Humidity Test:	95 % RH (Non Condensing)
Unit Weight:	0.5 Kg
Shaft Length:	>50mm
Compliance:	CE
Country Of Origin:	UK

Order Codes

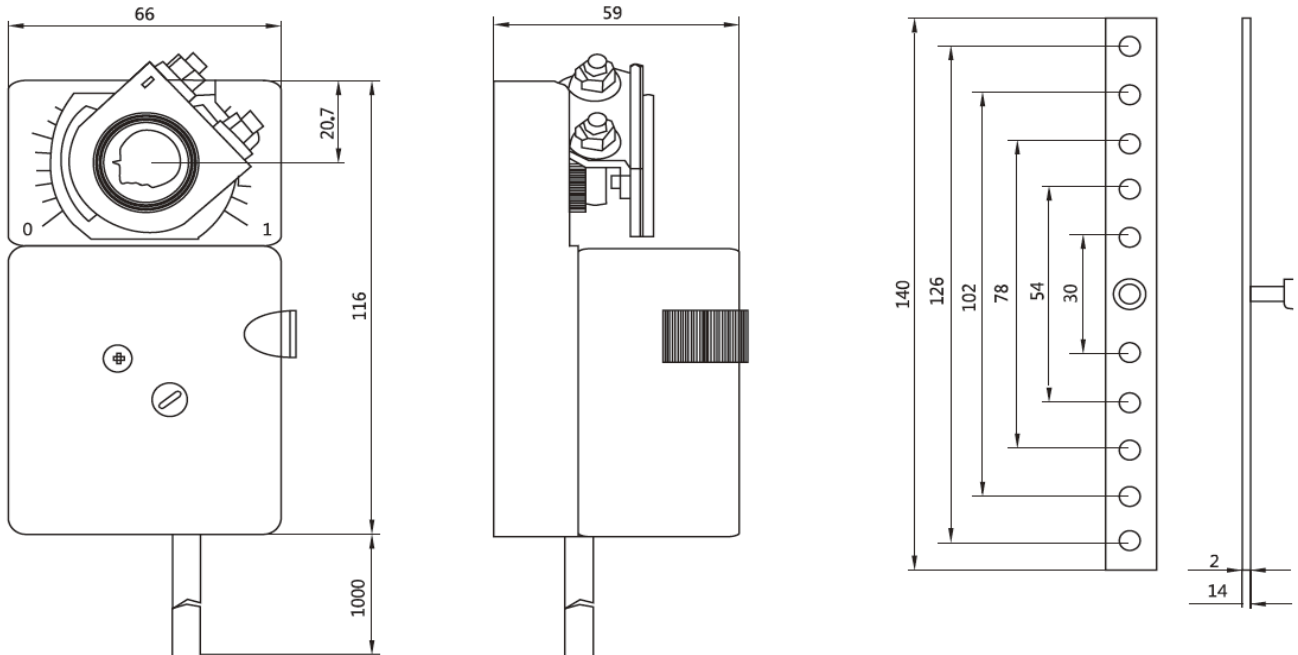
Part Number	Description
AX-RA-02D	Damper Actuator, On/Off or 2/3 Points, 24V, 2Nm
AX-RA-02DS	Damper Actuator, On/Off or 2/3 Points, 24V, 2Nm, 1 Aux switch
	* Add suffix “-230” for 230Vac versions

AX-RA-02D

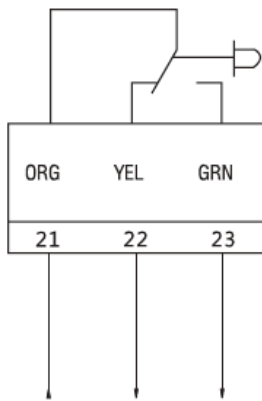


Damper Actuator, On/Off or 2/3 Points, 2Nm

Dimensions (mm)

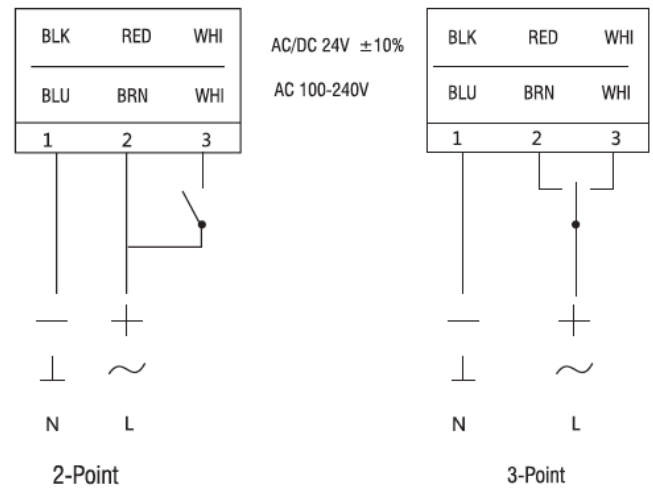


Auxiliary Switch



Resistance load 3A,230V
Inductive load 1.5A,230V

Wiring Diagram



Datasheet Contents

Every effort has been taken in the production of this data sheet to ensure accuracy. Axio do not accept responsibility for any damage, expense, injury, loss or consequential loss resulting from any errors or omissions. Axio has a policy of continuous improvement and reserves the right to change this specification without notice.