

# AX-PS-DR-30

230Vac to 12/24Vdc Power Supply

# AXIO



## Product Overview

The AX-PS-DR-30 Power Supply is a cost effective, ultra slim unit providing a regulated 12 or 24Vdc output from an 85 to 264Vac input. The power supply is designed to provide 12/24Vac to power the Axio range of DIN Rail Modules, but has many other uses where a cost effective DC supply is required. The AX-PS-DR-30 features short circuit, over load & over voltage protection and is designed for mounting on TS35 section DIN rail.

## Features

- Regulated 12/24Vdc Output at 2/1.5A
- Short Circuit, Over Load, Over Voltage
- LED Power Indication
- 85 to 264Vac or 120 to 370Vdc input
- High Quality Rising Clamp Terminals
- DIN Rail Mounting (TS35)

## Product Specifications

Input Voltage:	85 to 265Vac or 120 to 370Vdc
Input Frequency Range:	47 to 63Hz
Input Current:	0.88A @ 115Vac or 0.48A @ 230Vac
Input Inrush Current (max.):	25A @ 115Vac or 45A @ 230Vac
Output Voltage:	12 or 24Vdc (5Vdc, 15Vdc and 48Vdc versions also available)
Output Voltage Adjustment Range:	12Vdc: 10.8 to 13.8Vdc 24Vdc: 21.6 to 29Vdc
Output Current:	12Vdc: 0 to 2A 24Vdc: 0 to 1.5A
Output Power:	12Vdc: 24W 24Vdc: 36W
Terminals:	Rising Clamp for 0.5-2.5mm <sup>2</sup> Cable
LED Indication:	ON when power on
Ambient Temperature Range:	-30 to +70°C @ 20 to 90% RH
Safety Standards:	UL508, TUV EN60950-1 Approved
EMC Conduction and Radiation:	Compliance to EN55032, EN61000-3-2, -3
Weights & Dimensions:	35mm(W) x 90mm(H) x 54.5mm(D), 120grams
Country of Origin:	Taiwan

## Order codes

AX-PS-DR-30-12	Universal Input to 12Vdc Power Supply
AX-PS-DR-30-24	Universal Input to 24Vdc Power Supply

ANNICOM

© Copyright Annicom. All Rights Reserved

**Annicom Ltd**

Unit 21, Highview, Bordon, Hampshire. GU35 0AX

Tel: +44 (0)1420 487788 Fax: +44 (0)1420 487799

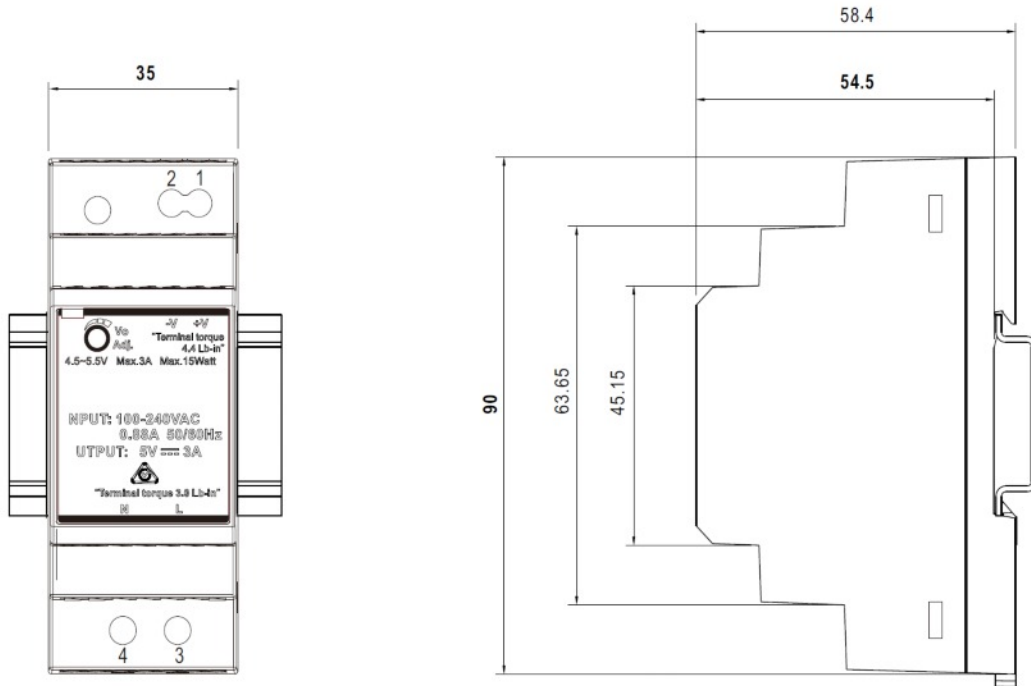
Email: sales@annicom.com Website: www.annicom.com

# AX-PS-DR-30

230Vac to 12/24Vdc Power Supply



## Dimensions

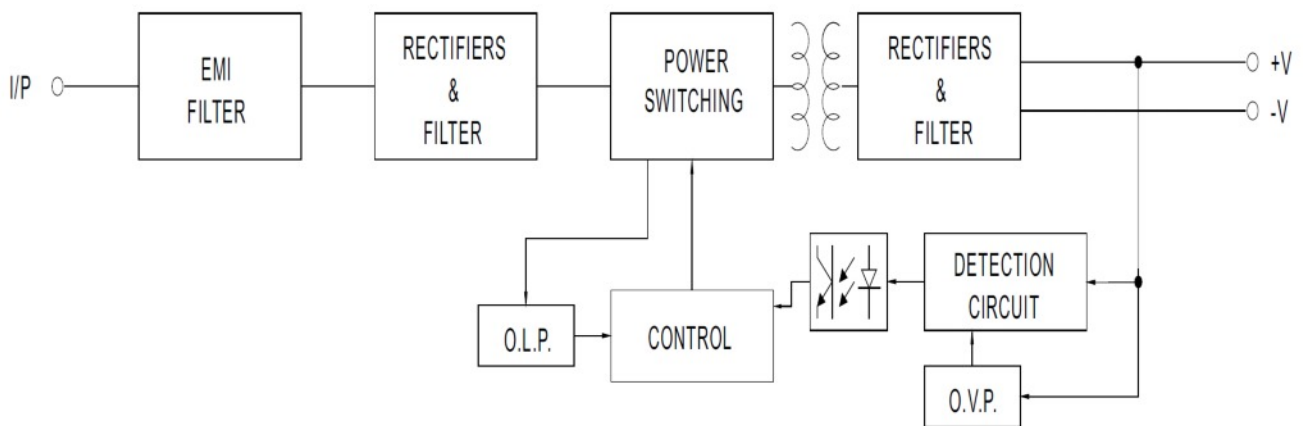


## Connections

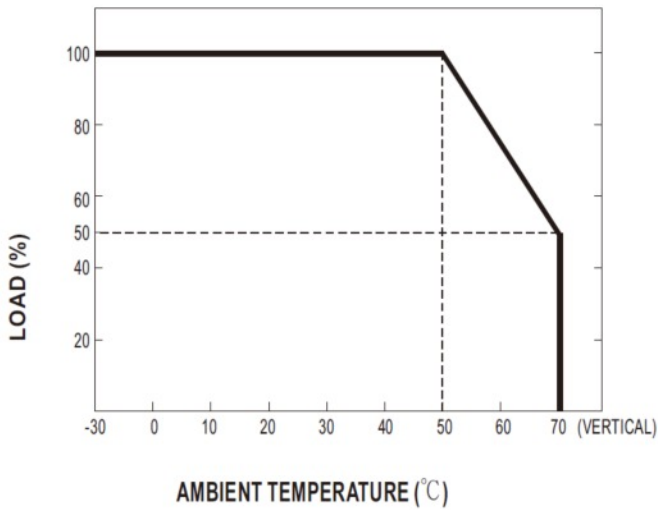
Terminal Pin No. Assignment

Pin No.	Assignment	Pin No.	Assignment
1	+V	3	AC/L
2	-V	4	AC/N

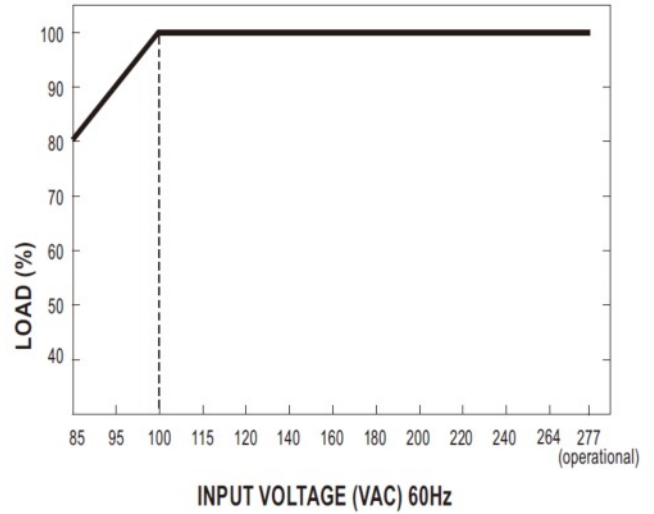
## Block Diagram



### Output De-rating



### Output Derating vs Input Voltage



### Datasheet Contents

Every effort has been taken in the production of this data sheet to ensure accuracy. Annicom do not accept responsibility for any damage, expense, injury, loss or consequential loss resulting from any errors or omissions. Annicom has a policy of continuous improvement and reserves the right to change this specification without notice.