



Product overview

The Axio AX-PET is a ten minute to nine hour electronic time switch with a two digit display and an external inhibit input. The extension time is set by simply pressing a button which also causes the set time to be displayed. Once the countdown has started the display shows the time remaining. The unit can be used to provide energy savings in ventilation, heating, lighting, etc. installations and is ideal for applications where a simple interface is required.

Features

- 10 minutes to 9 hours extension times
- 24Vac or 230Vac powered
- Inhibit input
- Digital display of time set / remaining
- Fits a standard one gang back box (UK)
- Simple operation

Product specifications

Power Supply	24Vac or 230Vac
Output	SPNO relay rated for 10A @ (230Vac (Resistive))
Time Selection	10 to 90 minutes in 10 minute increments, then 2 to 9 hours in hourly increments
Display	2 digit 7 segment red LED display
Protection	IP40 (When correctly installed)
Inhibit input	Volt free contact only
Terminals	Rising clamp for 0.5-2.5mm ² cable
Ambient Temperature Range	0 to 50°C
Dimensions	85(W) x 85(H) x 30(D)mm (Maximum including front plate)
Weight	90gms
Country of Origin	United Kingdom

Order codes

AX-PET Plant Extension Timer

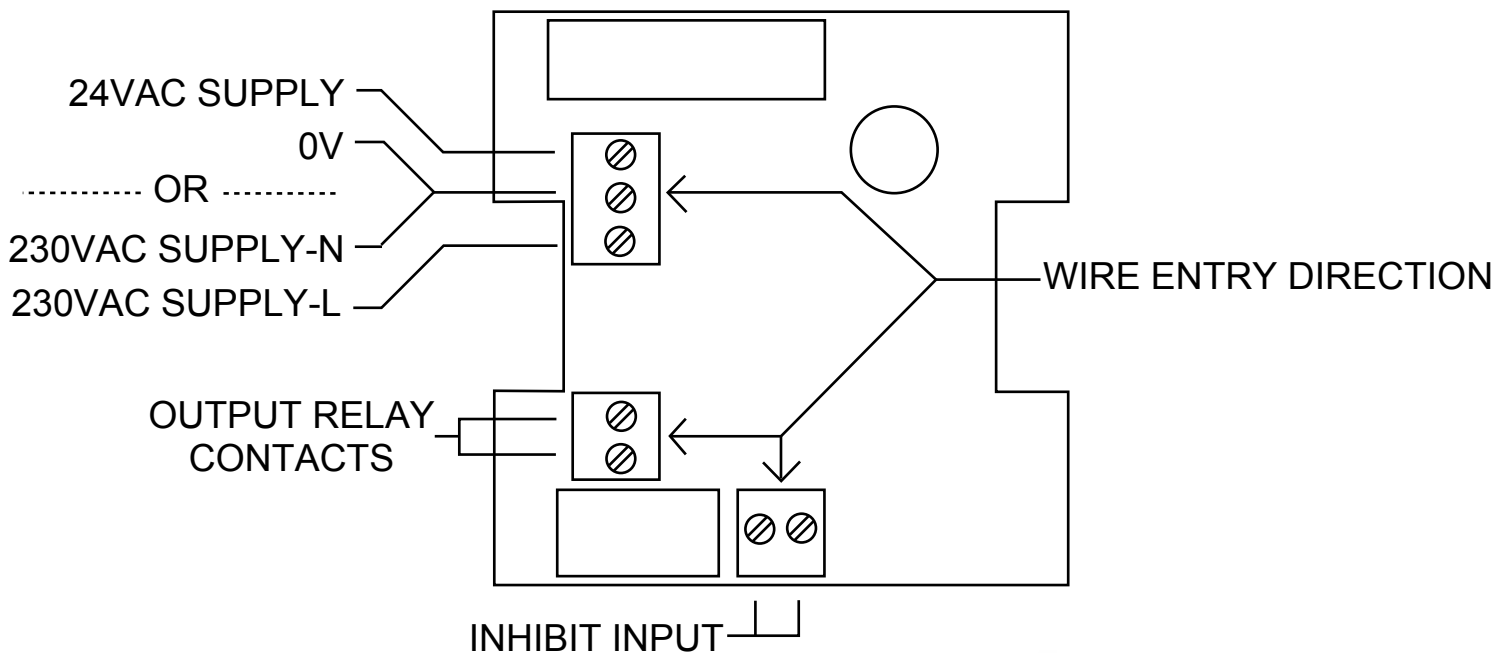
Installation

The AX-PET should be installed by suitably qualified technician in conjunction with any guidelines for the equipment it is to be connected to and any local regulations. Field wiring should be installed to satisfy the requirements set out by the manufacturer of the equipment that the module is being connected to.

Description and connections

The extension time is set by repeatedly pressing the button, the display changes to show the extension time set. The time is set in 10 minute intervals from 10 minutes to 90 minutes then hourly intervals from 2 hours to 9 hours. Once the unit has started counting down the display will dim and the relay will energise. The relay action is delayed by 10 seconds to prevent spurious switching when setting the extension time. To terminate the count down hold the button down until the display reads zero or repeatedly press the button until the display passes 9 hours and returns to zero. If a connection is made across the Inhibit input the count down will stop until the connection is removed. (Warning - The Inhibit input may be at supply potential). The time display flashes to indicate the countdown is on hold. It is recommended to use signal relays or switches for the Inhibit input if used.

CAUTION Connecting 230VAC to the 24VAC supply terminals will damage the unit.



WARNING - The Inhibit input is indirectly connected to the 24VAC / 230VAC supply and can cause electric shock if touched