

Product Overview

The AX-OCF range of occupancy sensors are passive infrared sensors for monitoring occupation through body heat. Detection of occupation will activate the internal relay. There are Switched Live and Volt Free output variants. The units include a light level control which can be turned off if required. There are 230Vac and 24Vac/dc variants.



Wall mount

Surface mount

Flush mount

Products Features

- Flush, Surface and Wall mount options
- Switched live or Volt free contact output options
- Compatible with many BMS products
- Adjustable timer

Product Specifications

Sensor Type:		Passive Infra-Red Detector
Field of View:	Flush & Surface	360°
	Wall	110°
Coverage:	Flush & Surface	8 metres diam max. (At 2.8m height)
	AX-OCF-230F6	12 metres diam max. (At 6m height)
	Wall	Up to 10 metres
Power Supply:	-24	24Vac/dc ±20% (flush and surface only)
	-240	96 to 253 Vac 50/60Hz
Output:	Switched Live	Supply Voltage
	Relay	SPST - NO
Contact Rating:		10A @ 240Vac resistive
Timer:		10 secs to 12 mins
Light Level:		Adjustable threshold (if fitted)
Ambient Temp. Range:		-10 to +50°C
Materials:		Flame retardant ABS, polypropylene
Conformity:		CE marked, EMC, LVD
Country of Origin:		Italy

Order Codes

Switched live	Volt free	Description
AX-OCF-24F	AX-OCF-24FVF	Flush Mounted Occupancy Sensor - 24Vac/dc
AX-OCF-24S	AX-OCF-24SVF	Surface Mounted Occupancy Sensor - 24Vac/dc
AX-OCF-230F	AX-OCF-230FVF	Flush Mounted Occupancy Sensor - 230Vac
AX-OCF-230S	AX-OCF-230SVF	Surface Mounted Occupancy Sensor - 230Vac
AX-OCF-230W		Wall Mounted Occupancy Sensor - 230Vac
AX-OCF-230W-65		Wall Mounted Occupancy Sensor - IP65 - 230Vac
AX-OCF-230F6		Flush Mounted Occupancy Sensor - 4.5-6m - 230Vac

Installation

Siting:

The AX-OCF should be sited so that the detection pattern (shown on page 4) captures the normal occupancy positions inside the room. You should also follow the following guidelines.

- Avoid direct sunlight entering the sensor
- Do not sight within 1 metre of any lighting
- Do not position sensor within 1 metre of ventilation or forced air heating
- Do not position sensor on a vibrating surface

Flush Mounting

The AX-OCF-xxF should be installed in a ceiling tile through a 58mm diameter hole, using the plastic clips supplied.

Ensure the tile is sufficiently strong to take the weight of the sensor and that there is sufficient clearance in the ceiling void.

Surface Mounting

The AX-OCF-xxS has fixing lugs to allow mounting to metal boxes or BESA boxes and has base knockouts for cable entry.

Wall Mounting

The AX-OCF-xxW has a fixing bracket to enable it to be mounted onto the wall.

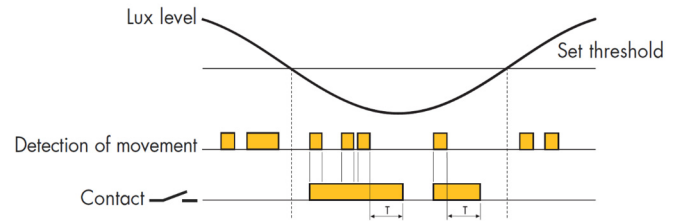
Configuration

Setting time delay

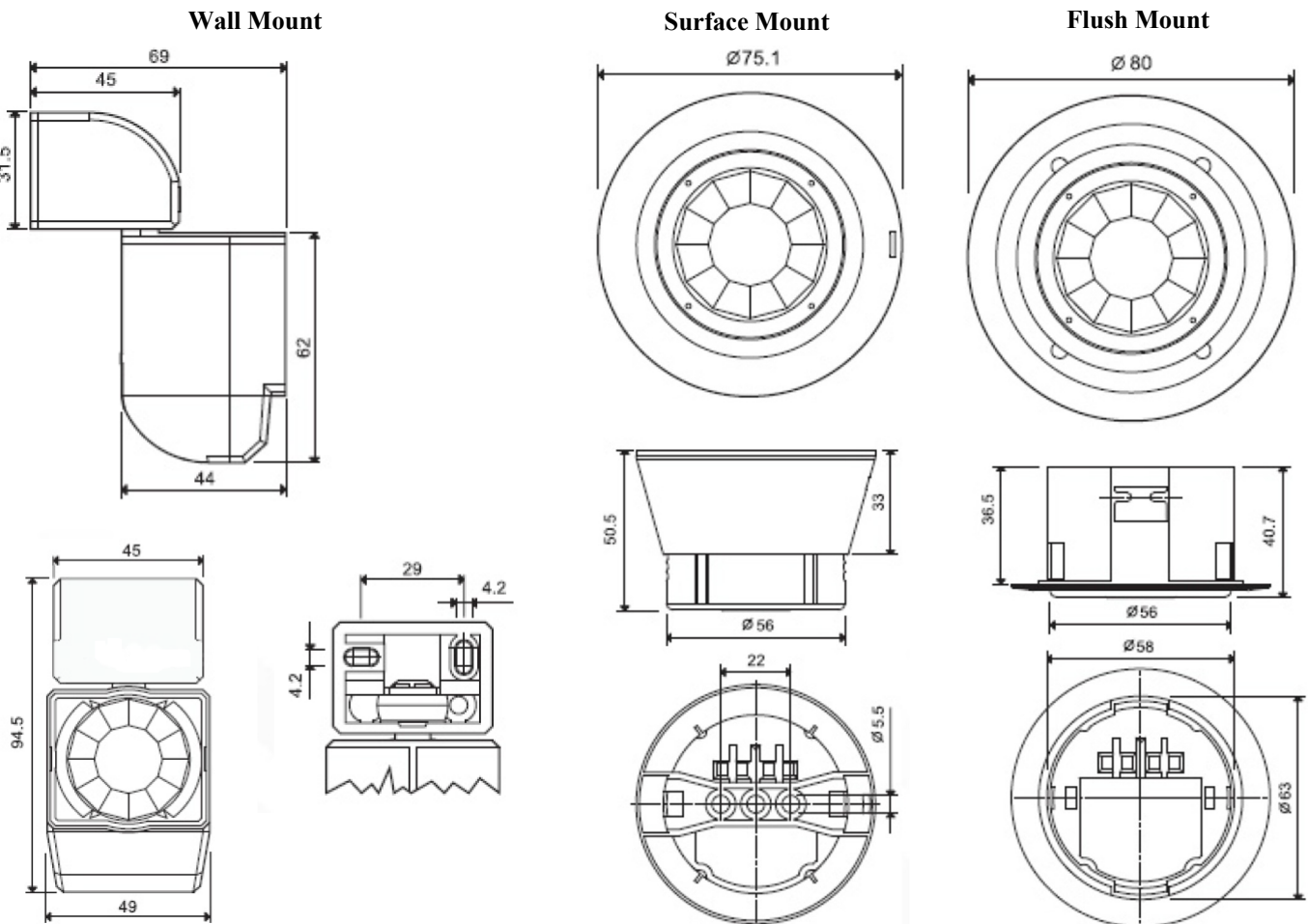
The occupancy timing is done via a potentiometer. The output relay will remain On for the preset time, following the last detection of movement

Lighting Threshold

This preset sets the ambient light threshold below which the output will be ON when the PIR sensor detects a motion.

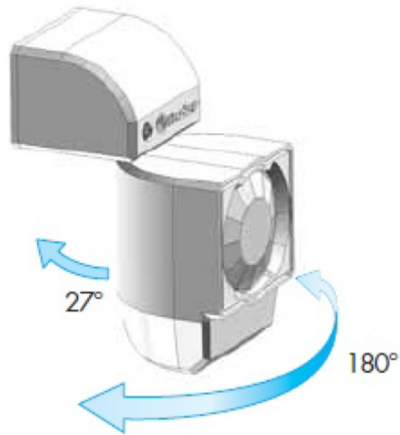


Dimensions

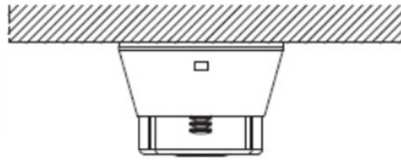


Mounting & Orientation

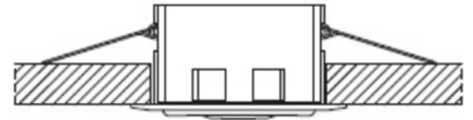
Wall Mount



Surface Mount



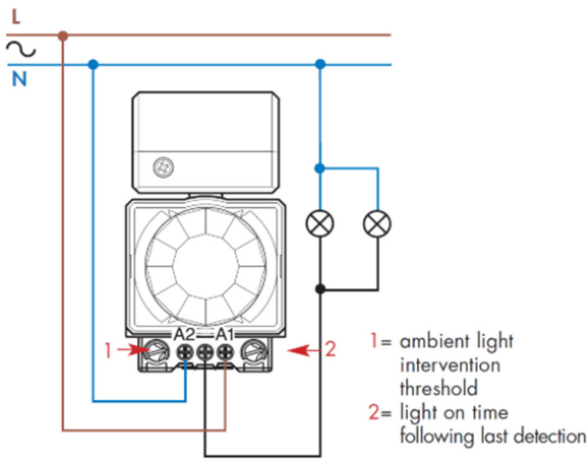
Flush Mount



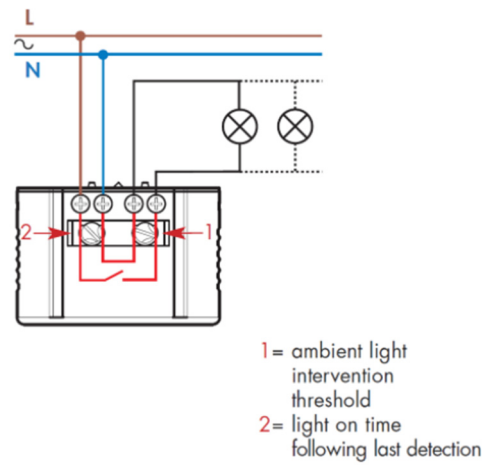
Connections

Switched Live

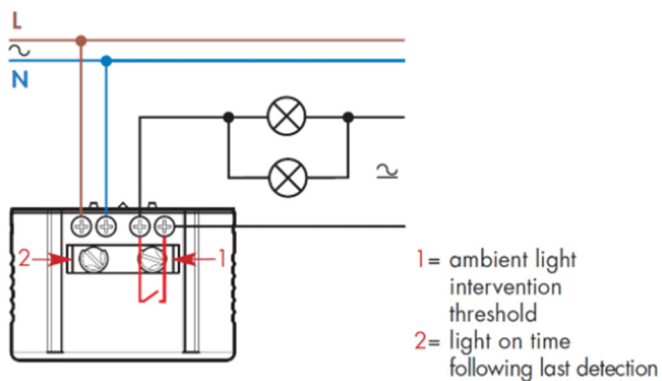
Wall Mount



Flush & Surface Mount

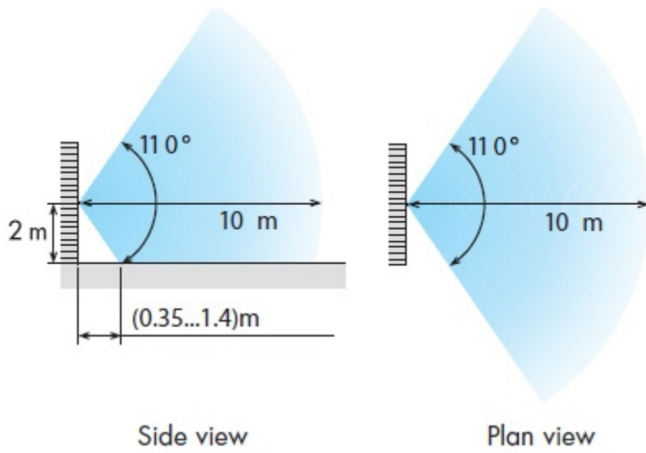


Volt Free Contact

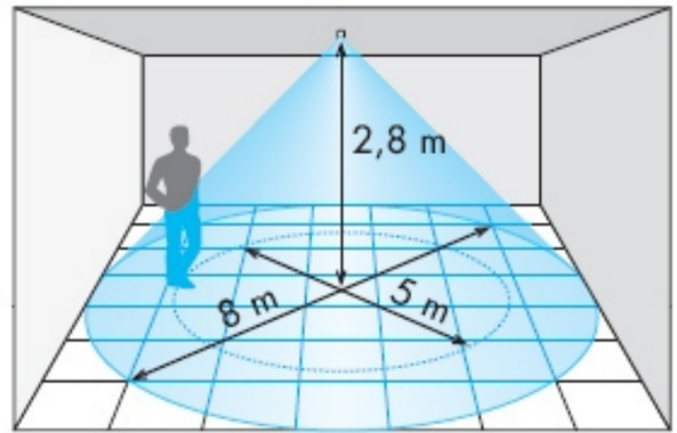


Detector Pattern

Wall Mount

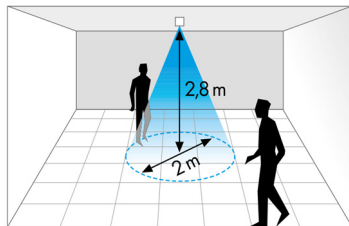


Surface and Flush Mount



Beam Limiter

The flush and surface mount versions comes with the beam limiter attached. This will reduce the coverage to 2 meters in diameter at an installation height of 2.8 meters. Remove this if it doesn't suit the application.



Nominal Lamp Loads (230V)

Incandescent/halogen	1000 W
fluorescent lamp with electronic ballast	500 W
fluorescent lamp with electromagnetic ballast	350 W
CFL	300 W
LED 230 V	300 W
halogen or LV LED with electronic ballast	300 W
halogen or LV LED with electromagnetic ballast	500 W

Datasheet Contents

Every effort has been taken in the production of this data sheet to ensure accuracy. Annicom do not accept responsibility for any damage, expense, injury, loss or consequential loss resulting from any errors or omissions. Annicom has a policy of continuous improvement and reserves the right to change this specification without notice.