



Product Overview

The AX-OC-CMW occupancy detectors provide automatic control of lighting loads and have a sensing range of up to 16 meters. It is designed for ceiling mount applications to provide 360° detection across wide areas. When movement is detected the load is turned on. An internal light sensor provides additional energy saving advantages - when an area is occupied, lighting is only switched on when the level of natural light is below a preset level.

Features

- Ceiling Mounted
- 360° Detection zone
- Ambient light regulation between 3 to 2000 LUX
- Ideal for use in bathrooms, offices, corridors and stairwells
- 2m to 16m detection range

Product Specifications

Power Supply:	230Vac 50/60Hz
Rated Load:	Max. 1200W Incandescent Lamp Max. 300W Energy-Saving Lamp
Detection Range:	360° / 2-16metres
Detection Speed:	0.6-1.5m/s
Delay Timer:	Adjustable 10 seconds to 12 minutes
Electrical Connections:	2.5mm ²
Ambient Temp. Range:	-20 to +40°C
Ambient Light:	<3-2000LUX
Materials:	Polycarbonate
Fixing:	57mm
Installation Height:	1.5-3.5m
Protection Rating:	IP20 Class II
Dimensions:	Ø75 x 75mm
Weight:	97g
Country Of Origin:	Germany

Order Codes

AX-OC-CMW	Flush Mount Ceiling Occupancy Detector - 230V, Switched Live
AX-OC-CMW-VF	Flush Mount Ceiling Occupancy Detector - 230V, Volt Free

© Copyright Annicom. All Rights Reserved

Annicom Ltd

Unit 21, Highview, Bordon, Hampshire. GU35 0AX

Tel: +44 (0)1420 487788 Fax: +44 (0)1420 487799

Email: sales@annicom.com Website: www.annicom.com

Installation

The detector should be sited so that the occupants of the room fall inside the detection zone shown on page 3, and at a recommended height of 1.5m to 3.5m. Note that the higher the sensor is installed the shorter the detection range will be.

Avoid locating this sensor where it could be exposed to drafts, windy conditions or any ventilation equipment.

1. Install above an area where daylight can give greater illumination than the artificial light.
2. Make sure the load is connected and in working order.
3. Isolate the mains supply to the circuit.
4. Connect the controller - refer to connection diagram
5. Fit the unit to the ceiling and switch on the mains supply.
6. On first start-up, the load will power up for approximately 30s.
7. Vacate the room or remain very still and wait for the load to switch off (should take no more than 1 minute). Check that the load switches back on when movement is detected.

Adjusting the Settings

The adjustment for LUX level is best set up with TIME set to minimum value and the ambient light is approximately at the minimum desired working light level. With the LUX set fully clockwise, wait for the device to switch off. Slowly rotate the LUX adjuster anti-clockwise (- to +), while waving a hand approximately 1m below the sensor, until the load light switches on.

After setting the LUX level, adjust the TIME setting to a suitable value for switching off delay.

The sensitivity adjuster (SENS) will control the detection range between approximately 2m (fully anti-clockwise) to 16m (fully clockwise).

Fault Finding

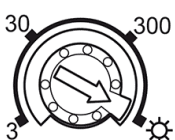
LOAD DOES NOT COME ON

- Check that the live supply to the device is on.
- The LUX adjustment may be set too low and is inhibiting the switch
- The SENS adjustment may be too low such that the sensing range is not wide enough

SENSITIVITY IS POOR

- Check the ambient temperature is within appropriate range
- Check the detection zone range is adjusted to suit the room size
- Check the installation height is within specified range

LUX



SENS



TIME

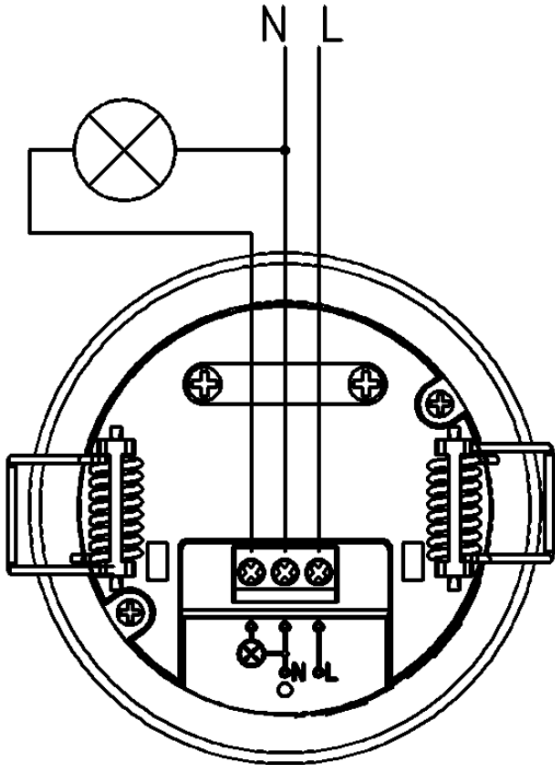


AX-OC-CMW

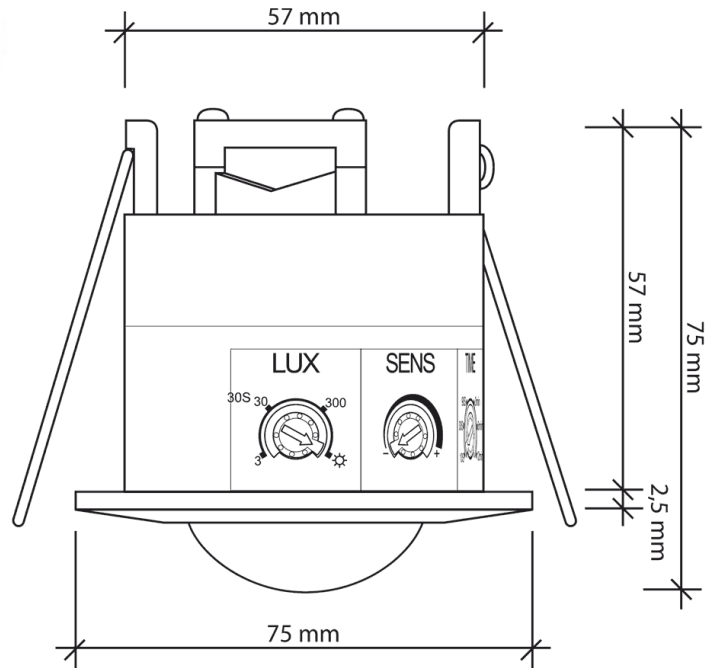
Occupancy Detector - Ceiling Mount



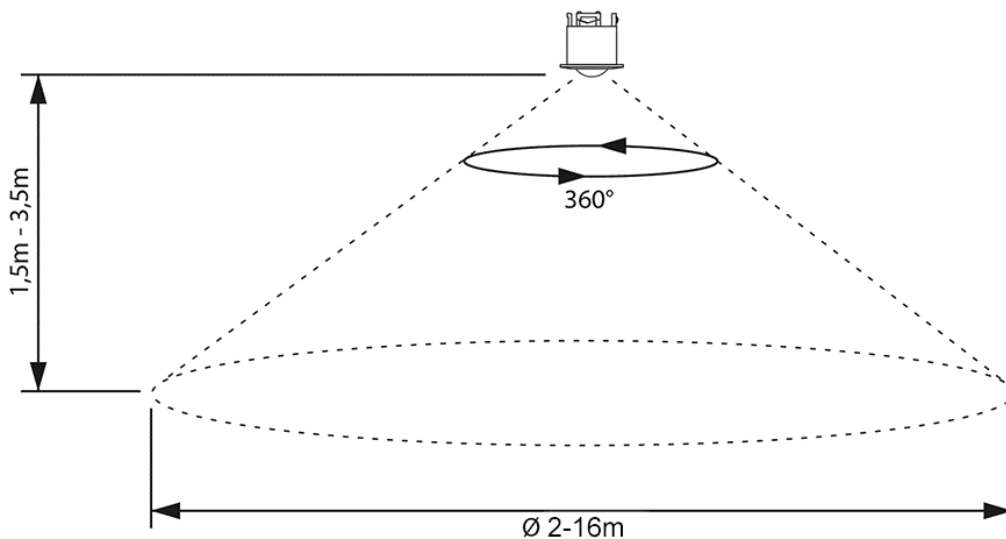
Connections



Dimensions



Detector Pattern



Datasheet Contents

Every effort has been taken in the production of this data sheet to ensure accuracy. Axio do not accept responsibility for any damage, expense, injury, loss or consequential loss resulting from any errors or omissions. Axio has a policy of continuous improvement and reserves the right to change this specification