

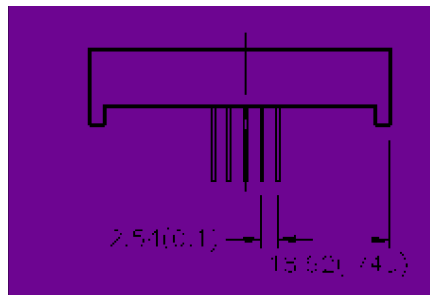
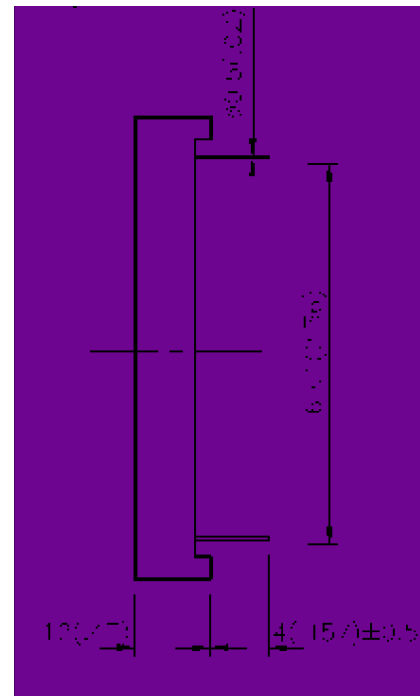
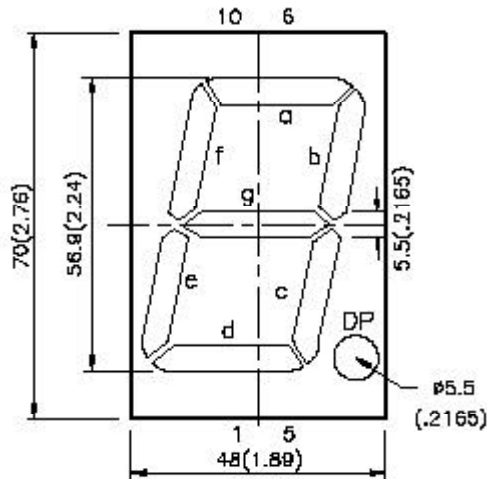


Product Specifications

Enclosure Material:	White ABS Plastic
Dimensions:	218(W)x 108(H) x 45(D) mm
Temperature Range:	0 to 40 degC (as standard)
Pressure Range:	0 to 999 Pa
LED Size:	3 x digit 7 segment 57mm height
Display Resolution:	0.2°C or 1 Pa
LED Colour:	Red (Green Option)
Engraving:	Temperature Room Temperature & °C Pressure Room Pressure & Pa Relative Humidity Relative Humidity & %RH
Input:	Pressure/RH 0-10Vdc Non Engraved 0-10Vdc (other inputs available on request at additional cost) Temperature 10K3A1 (built in)
Terminals:	2 x 2 way terminal block 6A
Power Supply:	24Vdc (12Vdc option)
Ambient Range:	0 to 50°C
ASS No:	Temperature ASS679101 Pressure ASS678601 Relative Humidity ASS678602 No Engraving ASS678603

Order Codes

AX-LED-57-T	Enclosure mounted LED Display 57mm digits - Temperature
AX-LED-57-P	Enclosure mounted LED Display 57mm digits - Pressure
AX-LED-57-R	Enclosure mounted LED Display 57mm digits - RH
AX-LED-57	Enclosure mounted LED Display 57mm digits - No engraving



Absolute Maximum Ratings at $T_A=25^{\circ}\text{C}$

Parameter	Bright Rec	High Efficiency Rec	Green	Yellow	Super Bright Rec	Units
Power dissipation	120	105	100	105	100	mW
DC Forward Current	25	30	25	30	30	mA
Peak Forward Current [1]	150	150	150	150	150	mA
Reverse Voltage	5	5	5	5	5	V
Operating/Storage Temperature	-40°C To +85°C					
Lead Soldering Temperature [2]	260°C For 5 Seconds					

Notes
1: 10% Duty Cycle, 10ms Pulse Width
2: 4mm below package base.