

# AX-GS-TC3-H2

Hydrogen sensors - Wall Mount

# AXIO



## Product Overview

The AX-GS-TC3 units are a range of Gas Detectors providing accurate measurements of specific gases. The H2 units respond to hydrogen gas and have 4-20mA and/or addressable outputs. The units are supplied pre-calibrated and ready for use.

The Catalytic pellistor unit is a cost effective version that will respond to all flammable gases, and is calibrated for Hydrogen LEL. This unit has 3-wire 4-20mA and addressable outputs.

The Electrochemical units respond to Hydrogen specifically and are calibrated for 0-1000ppm. These units are either 2-wire, 4-20mA loop powered output or addressable output.

## Features

- Detector technology to suit application
- Industry Standard 4-20mA Output
- Pre-calibrated
- Compensated for temperature and drift

## Product Specifications

Power:	18-28Vdc
Output:	4-20mA Linear Output into 500Ω load max (24Vdc supply)
Addressable Output:	4-wire (for use with Addressable Controller - see unit type)
General Accuracy:	±2% of Range
Temperature range:	-5 to 55°C
Humidity range:	5-95% RH non-condensing
Housing:	ABS enclosure IP54
Weight:	425g

	<b>AX-GS-TC3A-PHC-H2</b>	<b>AX-GS-TC3A-H2</b>	<b>AX-GS-TC3-H2</b>
Sensor Cell type:	Catalytic pellistor	Electrochemical	Electrochemical
Standard Range:	0-100% LEL	0-1000ppm	0-1000ppm
Typical Cell life:	>3 years	>3 years	>3 years
Output type:	3-wire 4-20mA &/or Addressable	Addressable only	2-wire 4-20mA

## Order Codes

AX-GS-TC3A-PHC-H2	Hydrogen Sensor 0-100% LEL 4-20mA & addressable
AX-GS-TC3A-H2	Hydrogen Sensor 0-1000ppm addressable
AX-GS-TC3-H2	Hydrogen Sensor 0-1000ppm 4-20mA
AX-GS-TOC-640	32 Channel Addressable Controller
AX-GS-TOC-625	8 Channel Addressable Controller

© Copyright Annicom. All Rights Reserved

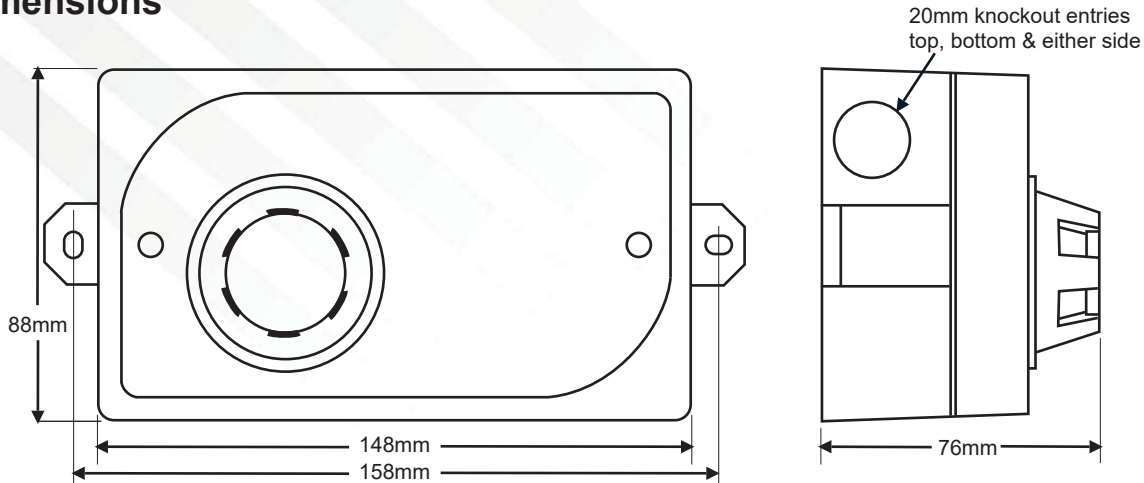
**Annicom Ltd**

Unit 21, Highview, Bordon, Hampshire. GU35 0AX

Tel: +44 (0)1420 487788 Fax: +44 (0)1420 487799

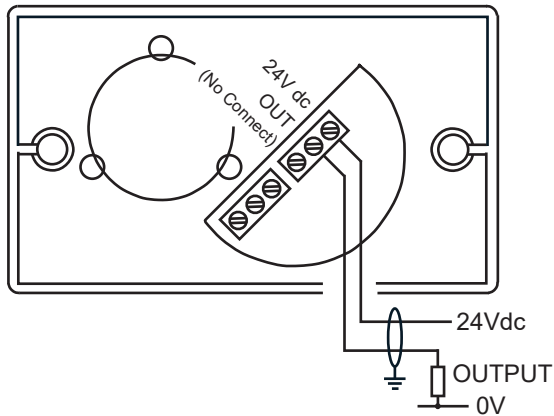
Email: sales@annicom.com Website: www.annicom.com

## Dimensions

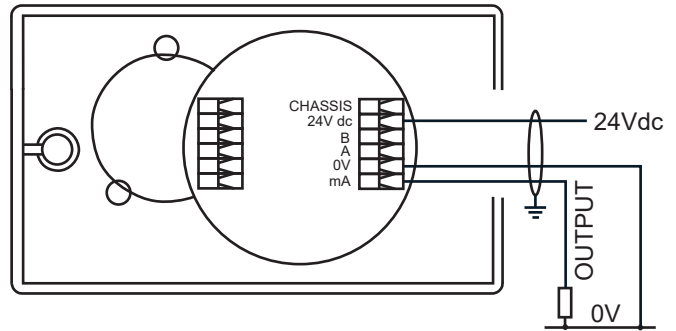


## Connections

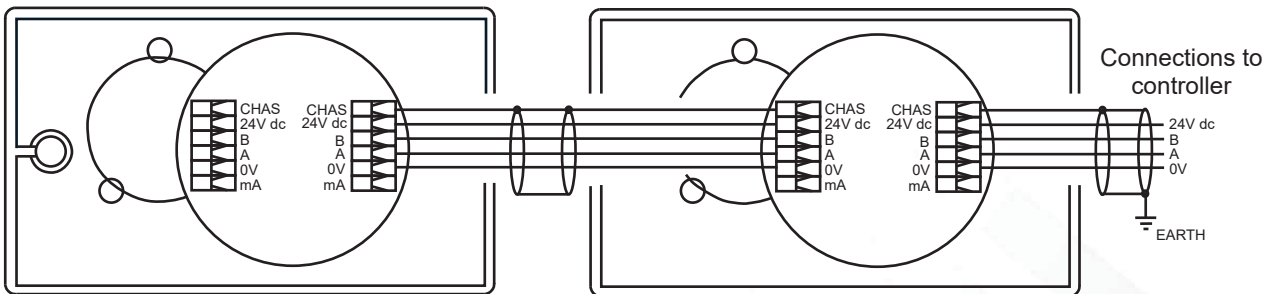
Applies to AX-GS-TC3-H2 only  
(2-wire connection loop powered)



Applies to AX-GS-TC3A-PHC-H2 only  
(3-wire connection)



Applies to AX-GS-TC3A-PHC-H2 or AX-GS-TC3A-H2  
(addressable connection - 2 units shown connected. Must use screened cable)



## Connections

Every effort has been taken in the production of this data sheet to ensure accuracy. Axio do not accept responsibility for any damage, expense, injury, loss or consequential loss resulting from any errors or omissions. Axio has a policy of continuous improvement and reserves the right to change this specification without notice.