

# AX-GS-TC3-DPT

## Duct Adaptor for AX-GS-TC3 Series Analog Gas Detectors



### Product overview

The Pitot duct adaptor relies on the gas velocity in a process to induce a flow in the probe to deliver gas to the gas detector. Typical applications are ventilation duct monitoring or air intakes in a variety of processes. With this type of unit the detector is remote from the Pitot assembly by tubing. This is particularly useful where mounting onto sheet metal duct work when access to the detector will still be required.

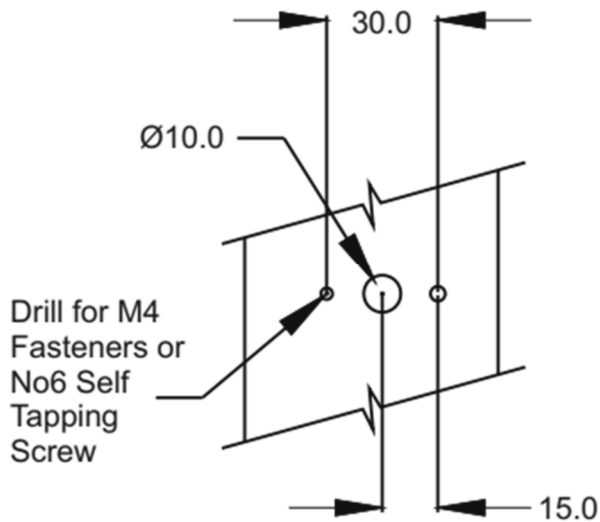


### Product Specifications

|                      |                       |
|----------------------|-----------------------|
| Materials:           | SS316, Neoprene, ABS  |
| Tube Length:         | 150mm max             |
| Flow rate:           | 3m/s - 20m/s          |
| Process Temperature: | 3°C to 70°C           |
| Humidity:            | 90% RH Non Condensing |
| Particulate:         | 50 mg/m <sup>3</sup>  |

### Installation

Duct Mounting Hole Detail



### Product Order Codes

| Part number   | Description   |
|---------------|---|
| AX-GS-TC3-DPT | Duct pitot kit for AX-GS-TC3 Series Analog gas transmitters |