

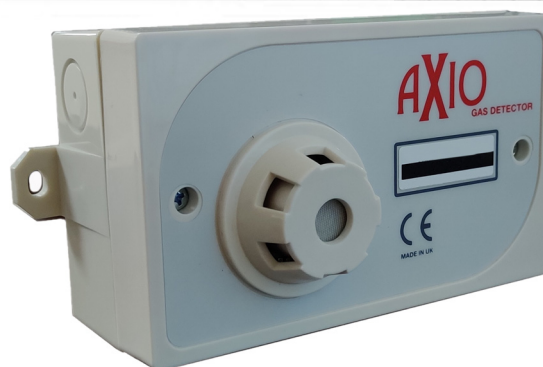
AX-GS-TC3-CL2

Chlorine Sensors - Wall Mount



Product overview

The AX-GS-TC3-CL2 chlorine transmitter uses an electrochemical element to monitor chlorine gas (Cl₂) levels within the range of 0-20ppm and outputs a linear 4- 20mA signal. The element is housed in a weatherproof ABS housing.



Products Features

- Wall Mounted
- Optional Duct Sampling Kit
- Monitors Chlorine over range 0-20ppm
- 4-20mA linear output
- IP54 ABS housing
- For Safe area sensing

Product Specifications

Sensor Type:	Electrochemical
Gas:	Chlorine(Cl ₂)
Sensor Range:	0-20 ppm
Power Supply:	18-28VDC (24VDC Nominal)
Typical Cell Life:	>2 years
Accuracy:	± 2 % FSD
Stability:	<5% signal loss per year
Output:	4-20mA (250 Ohms max)
Housing:	IP54,ABS
Ambient temp. range:	-5 to +50°C
Ambient RH. range:	5-95%RH non condensing
Dimensions:	148 x 88 x 47mm
Weight:	840 gms
Conformity:	CE, Declaration of conformity in accordance with EN ISO/IEC 17050-1:2010
	EMC 2004/108/EC
	Low voltage 2014/35/EC
	Gas EN50271:2018
Country of Origin:	United Kingdom

Product Order Codes

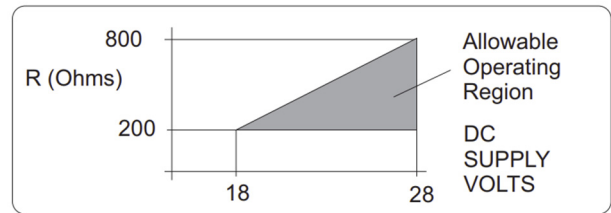
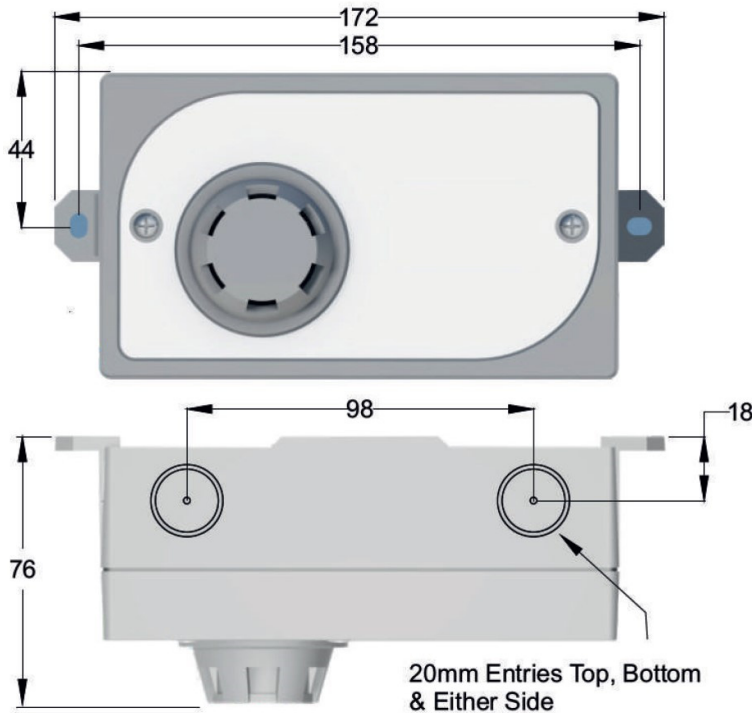
Part number	Description
AX-GS-TC3-CL2	Wall mounted chlorine sensor, standalone, analogue output, 0-20ppm
AX-GS-TC3-DPT	Duct pitot kit (<i>Contact us for more info</i>)

AX-GS-TC3-CL2

Chlorine Sensors - Wall Mount



Dimensions



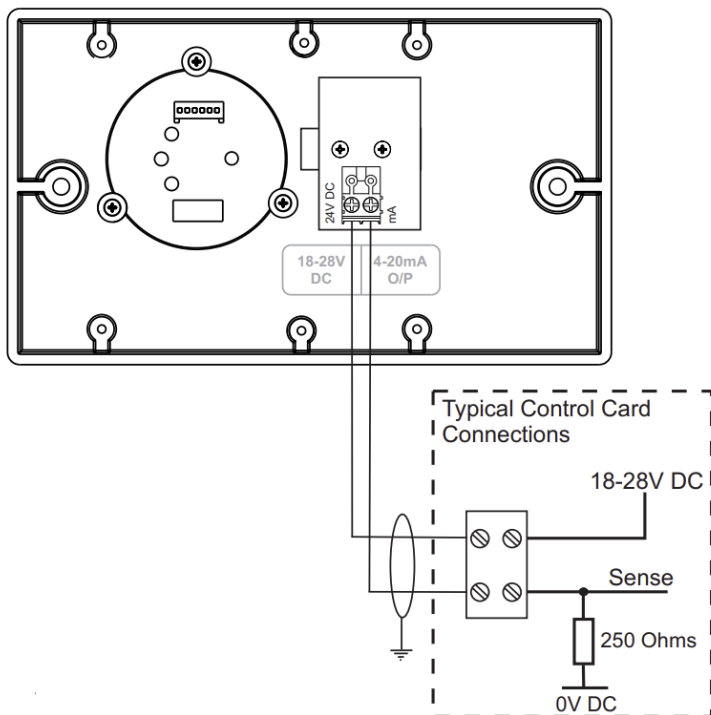
Installation

The AX-GS-TC3-CL2 should be installed by a suitably qualified technician in accordance with prevailing regulations and any guidelines for the equipment to which it is to be connected. It is not suitable for use with mains voltage. Considering the nature of the hazard and the interaction of the gas detection system with other systems in place, the system designer should choose the detector placement location appropriately.

Ensure that all power is disconnected before carrying out any work on the transmitter

Connections

Standalone detector



Note: Cabling must be screened type and used as indicated. Use min 1.5sq.mm cable. Cable must be suitable for the area of operation.

Datasheet Contents

Every effort has been taken in the production of this data sheet to ensure accuracy. Annicom do not accept responsibility for any damage, expense, injury, loss or consequential loss resulting from any errors or omissions. Annicom has a policy of continuous improvement and reserves the right to change this specification without notice.