



## Product Overview

The AX-GS-HCF200-x Refrigerant Gas Transmitter uses Catalytic sensor technology to monitor refrigerant gas levels within the range of 0- 800 PPM and outputs a linear signal as a 4-20 mA signal.

## Product Features

- Monitors Refrigerant gas over range 0 to 800 ppm
- Auto Calibration
- Wall Mounting
- Can connect to AX-GLD-BX216 Controller

## Product Specifications

<b>Sensor Type</b>	Catalytic
<b>Range</b>	0-800 ppm
<b>Power Supply</b>	12/24Vdc@80mAmax
<b>Accuracy</b>	1% FS
<b>Calibration</b>	Using SIAD test gases
<b>Output</b>	4-20mA
<b>Maximum Cable length</b>	150 metres
<b>Settling Time</b>	<2 minutes after powerup
<b>Ambient Temp. Range</b>	-10 to+40°C, 0-95%RH
<b>Housing</b>	Flame retardantABS
<b>Cable Size</b>	1mmCSA
<b>Dimensions</b>	75x 158x 58mm
<b>Protection</b>	IP55
<b>Conformity</b>	CE marked, EMC, LVD.
<b>Country of Origin</b>	Italy

## Order Codes

AX-GS-HCF200-134A	Refrigerant Gas Sensor	R134A
AX-GS-HCF200-407A	Refrigerant Gas Sensor	R407A
AX-GS-HCF200-407C	Refrigerant Gas Sensor	R407C
AX-GS-HCF200-410A	Refrigerant Gas Sensor	R410A
AX-GLD-BX216	16 Channel Controller wall mounted	

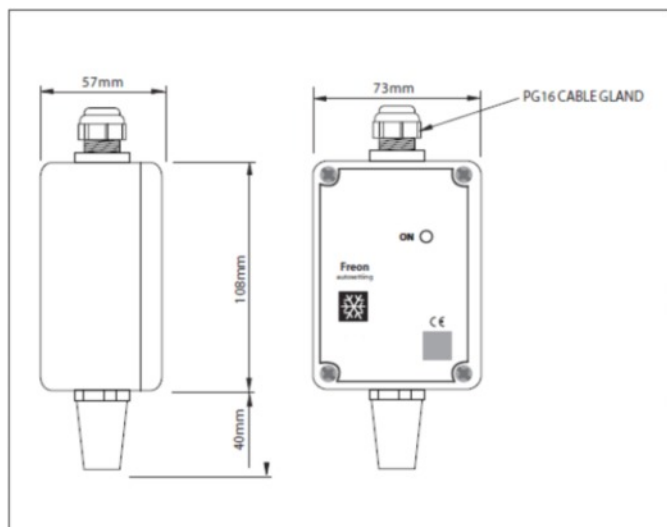
### **ANNICOM Ltd**

Unit 21 Highview, High Street, Bordon, Hampshire. GU35 0AX

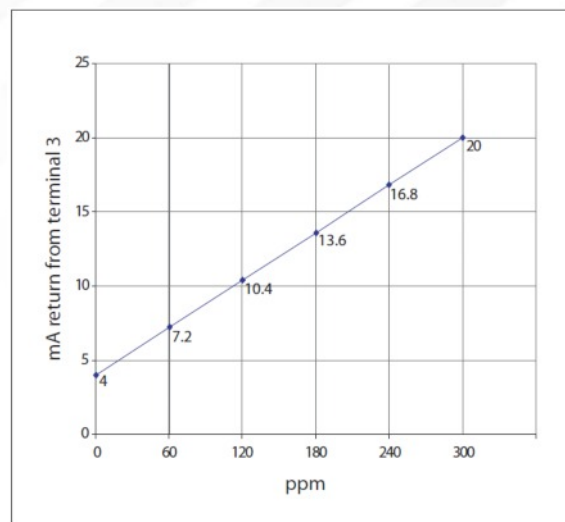
Tel: +44 (0)1420 487788 Fax: +44 (0)1420 487799

Email: [sales@annicom.com](mailto:sales@annicom.com) Website: [www.annicom.com](http://www.annicom.com)

### Overall Dimensions



### Diagram of Linear Detection



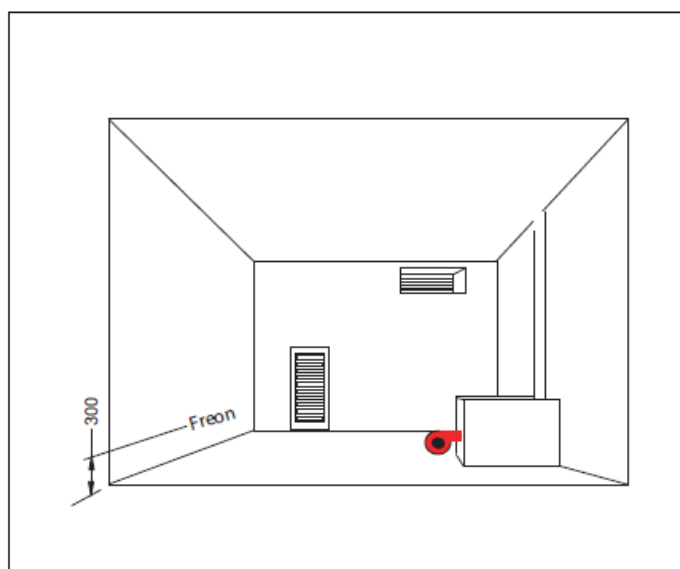
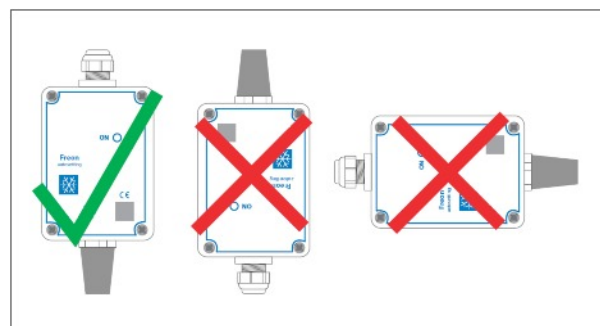
### Positioning Sensors

The AX-GS-HCF200-x sensor should be mounted in accordance with certain considerations. Do not position next to burners, heaters or ovens where temperatures above the room ambient may be experienced. It is, if possible, better to mount the sensors on the opposite wall. This is, of course, dependant on the size of the protected area.

Freon R134a is heavier than air and will therefore drop, meaning the AX-GS-HCF200-x sensor should be mounted 300mm from the floor of the protected area.

### Installing a sensor

The sensors must be mounted as shown below with the sintered head pointing vertically down.



### Important Notes

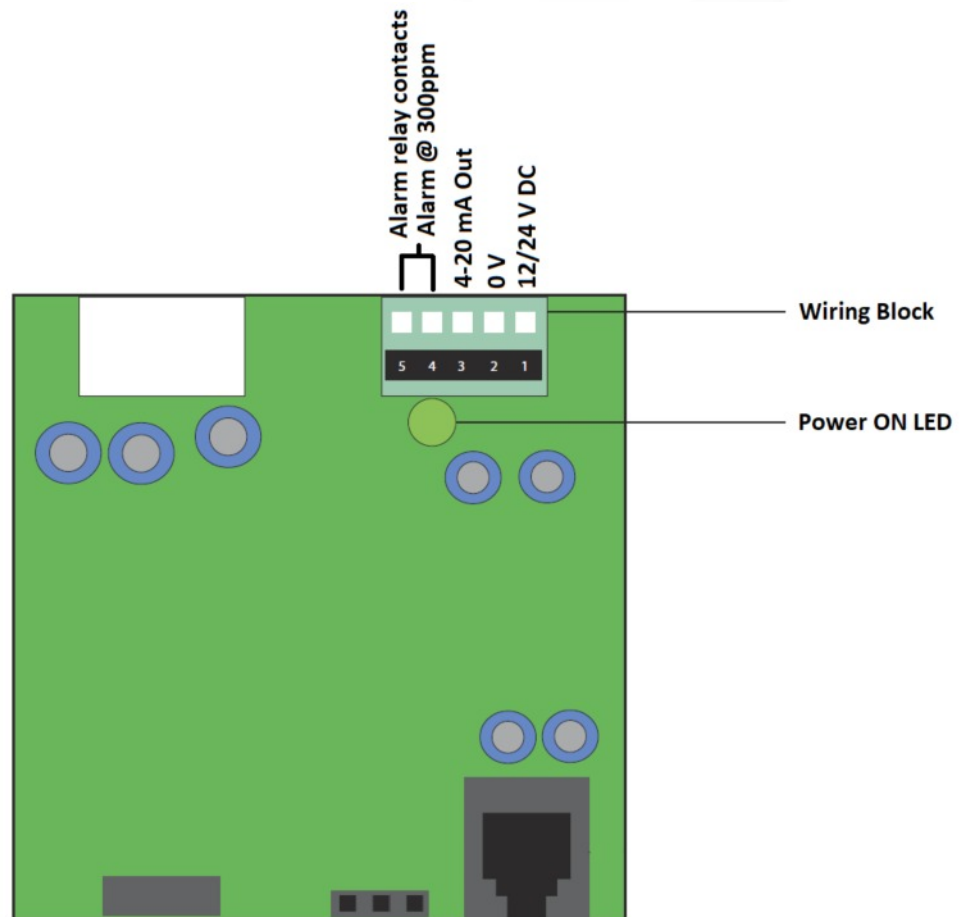
The installation of this gas detector does not release the user from observing all the regulations concerning the characteristics, installation and the use of gas appliances; the ventilation of the environment and the elimination of combustion products in accordance with local recommendations, regulations and byelaws.

### Replacing Sensors

When replacing sensors **NEVER** separate a sensing head from the PCB. The sensor has been calibrated using only that particular board and therefore will not function correctly with any other.

### Wiring

The AX-GS-HCF200-x should be installed by a suitably qualified technician in accordance with prevailing regulations and any guidelines for the equipment to which it is to be connected. The sensor can be located up to 100m from the gas detector. Cable size should be 1mm<sup>2</sup> csa. If the sensor cables are run separately in specific conduit it is not essential to use screened cable but if the cables are routed through conduit or trunking containing other wiring the use of screened cable is advisable.



### Datasheet Contents

Every effort has been taken in the production of this data sheet to ensure accuracy. Annicom do not accept responsibility for any damage, expense, injury, loss or consequential loss resulting from any errors or omissions. Annicom has a policy of continuous improvement and reserves the right to change this specification without notice.