



Product overview

The AX-GS-AQM monitors air purity with MOS sensor technology. It detects the a wide range of Volatile Organic Compounds (VOC) which causes discomfort to humans and are associated with bad air quality. It converts the reading to CO2 equivalent, which is the amount of VOCs with the same global warming potential of CO2 and provides a linear analogue voltage. The output range can be 0-5V/0-10V/2-10Vdc based on the jumper setting.

Since there is a direct correlation between air quality and occupancy, AX-GS-AQM finds its application in demand-controlled ventilation systems. Note that this product does not measure CO2. For applications that require CO2 measurement, use a CO2 sensor instead.

Products Features

- CO2 Equivalent output
- No calibration required
- Wall mountable
- Mounting plate with 2-piece terminal blocks
- User selectable output voltage range

Product Specifications

Power supply	AX-GS-AQM-S	24 Vac \pm 15% @ 35mA or 24 Vdc \pm 10% @ 35mA
	AX-GS-AQM-S230	90 ~ 260 Vac , 50~400 Hz, <1.5W avg
Sensor technology		Metal oxide semiconductor sensor
Output		400 - 2000 ppm CO2 equivalent
Analog output		0-5/0-10/2-10V DC (5mA max.)
Warm up time		15 Minutes
Response time		<10 Seconds
Operating Conditions		0 - +50°C , 0 - 95% RH (non condensing)
Lifetime		Expected > 5 Years
Housing		Flame Retardant ABS
Mounting type		Wall mountable
Dimensions		82 x 87 x 28mm
Weight		70gms
Country of origin		UK

Product Order codes

AX-GS-AQM-S	Air quality transmitter ,400-2000 ppm CO2Eq , Voltage output, 24V AC/DC
AX-GS-AQM-S230	Air quality transmitter ,400-2000 ppm CO2Eq , Voltage output, 90-260Vac

Installation

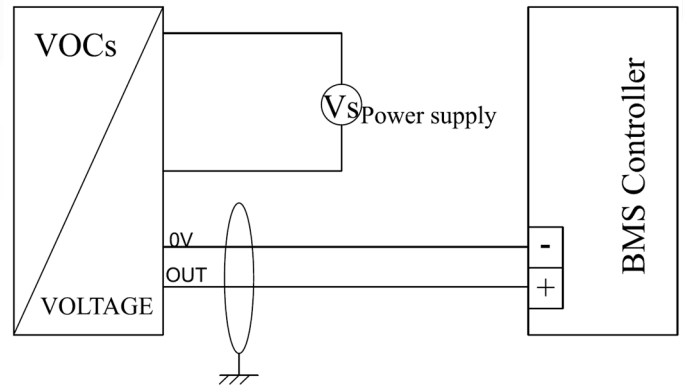
The AX-GS-AQM range of sensors should be installed by suitably qualified technician in conjunction with any guidelines for the equipment it is to be connected to and any local regulations. Field wiring should be installed to satisfy the requirements set out by the manufacturer of the equipment that the sensor is being connected to. Anti-static precautions must be observed when handling these transmitters. The PCB contains circuitry that can be damaged by static discharge. The device must not be exposed to high concentrations of organic solvents, ammonia, silicone vapor or cigarette-smoke in order to avoid poisoning the sensitive layer of the sensor.

Connections

Connections should be made using 0.5 to 1.5mm² cable. The use of shielded cable is optional but recommended for the highest noise immunity. Do not route signal wires in the same conduit with power cables as signal degradation may occur.

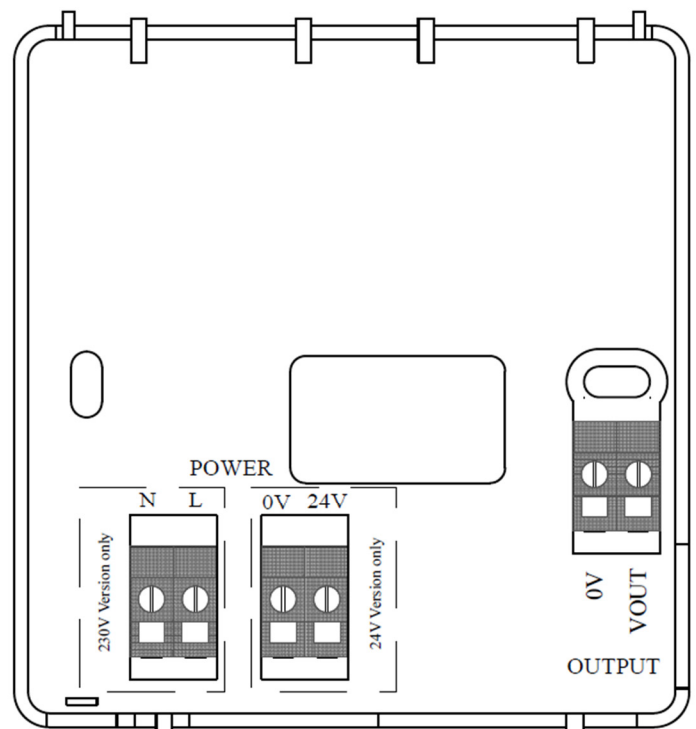
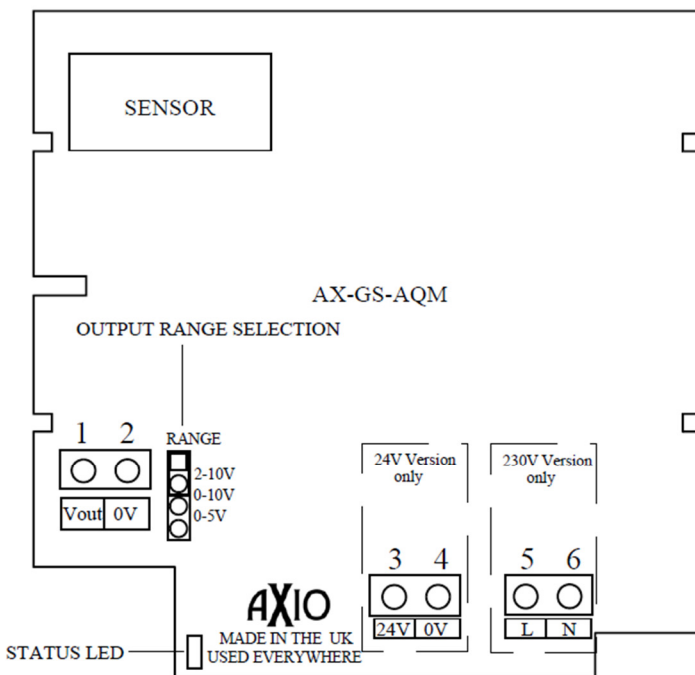
Before applying power, ensure that the jumper is configured correctly and that the load is of a suitably high impedance. Use caution when changing jumper positions so as not to damage the circuit board, any components or the sensing elements.

Typical wiring diagram

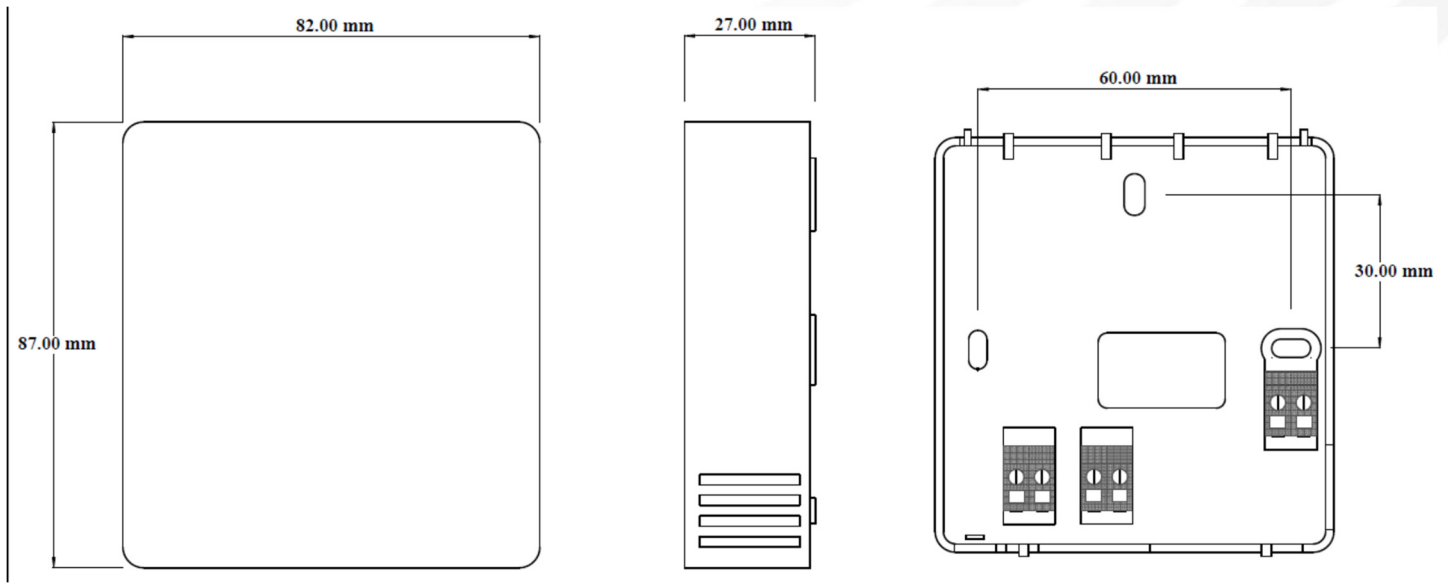


Status LED

An LED indication is provided on the circuit board to aid in testing and commissioning. If the device is powered up and the sensor is functional, the LED will blink once every second. A rapidly flashing LED indicates that the sensor is faulty.



Dimensions



Datasheet contents

Every effort has been taken in the production of this datasheet to ensure accuracy. Annicom Ltd does not accept responsibility for any damage, expense, injury, loss or consequential loss resulting from any errors or omissions. Annicom Ltd has a policy of continuous improvement and reserves the right to change this specification without notice.