



Product Overview

The AX-GM-Gxx is a range of cost effective Diaphragm Gas Meters which give a pulse output of the gas flow to the BMS. These units are made of Sheet Plate .

Features

- Diaphragm Gas Meter
- Pulse Output to BMS
- Ease of Maintenance and Installation
- Oven Catalysed epoxy coated

CODE	Size	Cyclic	Min	Max	Max	Connection	Dimensions			Weight Kgs
	BSP	Volume dm3	Capacity m3/hr	Capacity m3/hr	Pressure Gas Bar		Height mm	Width mm	Depth mm	
AX-GM-G4LA	3/4"	1.2	0.04	6	0.5	1 1/4"	220	190	163	1.9
AX-GM-G10LA	1"	6	0.1	16	0.5	1 1/4" to 2"	366	355	205	5
AX-GM-G16	1 1/2"	10	0.16	25	0.5	2"	433	395	285	20
AX-GM-G25	2"	20	0.25	40	0.5	2 1/2"	534	465	330	29

Order Codes

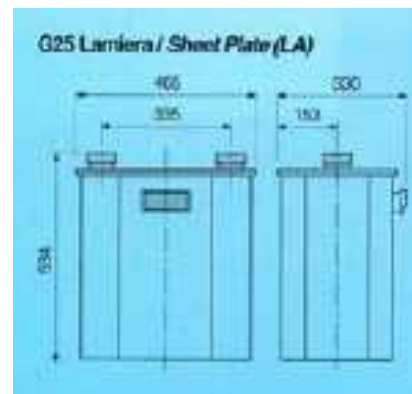
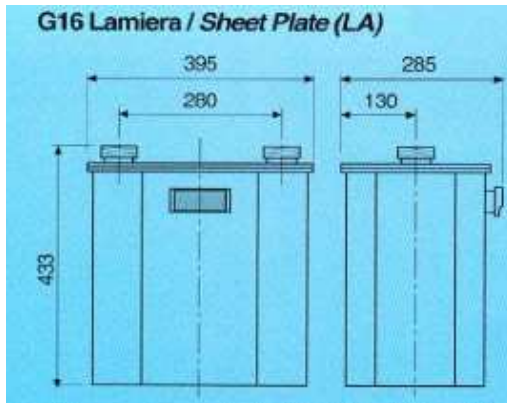
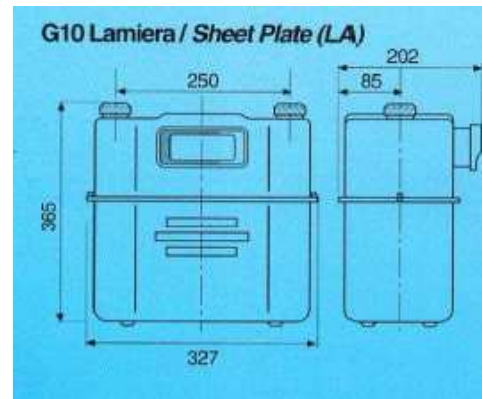
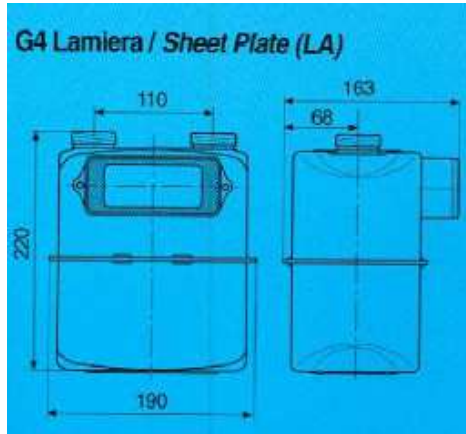
- AX-GM-G4LA** 3/4" Diaphragm Gas Meter c/w pulse output
- AX-GM-G10LA** 1" Diaphragm Gas Meter c/w pulse output
- AX-GM-G16** 1 1/2" Diaphragm Gas Meter c/w pulse output
- AX-GM-G25** 2" Diaphragm Gas Meter c/w pulse output

Installation

IMPORTANT, PLEASE READ CAREFULLY

A qualified engineer should always be employed to install this unit.
Current safety regulations must be observed.

Dimensions



Every effort has been taken in the production of this data sheet to ensure it's accuracy. Axio can not, however, accept responsibility for any damage, expense, injury, loss or consequential loss resulting from any errors or omissions. Axio has a policy of continuous improvement and reserves the right to change this specification without notice.