

### Product Overview

The AX-FRM4 Fan Speed Relay Module provides high capacity, interlocked fan speed switching relays with an integrated 24Vac transformer. The fan speed relays are switched live and can switch up to 12 Amps at 250Vac (resistive). The module also features an additional volt-free On/Off relay for switching fan coil units or other equipment.

The units can be used to change the speeds on fan motors with multi-tapped windings and also transformer speed controlled motors. The 'break before make' design of the relay contact configuration and common switching point ensure that only one set of contacts is active at any one time, thus preventing short circuits.

### Features

- Switch up to 250Vac at 12A with interlocked relays
- Interlocked relays allow only one output on at a time
- Enclosure option available
- 230Vac to 24Vac transformer at 30VA

### Product Specifications

Inputs:	Power	230V~ 50/60Hz ±15%
	Digital for relays	3 volt-free contacts with common 0V (switching 24V~ coils)
	Additional relay	1 isolated pair 24V~ coil
Outputs:	Supply	24V~ at 30VA max total on two pairs of terminals
	Fan Speed	Common and three switched Live, interlocked relay outputs
	Additional relay	NO volt free contact 12A @ 250Vac resistive (max. 5A inductive)
Load Regulation:		25% typical
Contact Rating:	Fan relays	12A @ 250Vac resistive (max. 5A inductive)
Fusing:	230Vac Input	20mm slow blow, 6A (includes fan supply)
	24Vac Output	20mm slow blow, 1.6A
Terminals:		Rising clamp for 0.5-2.5mm <sup>2</sup> cable
Ambient Temperature:		-10 to +50°C 0-95% RH (non condensing)
Enclosure:		IP55 flame retardant ABS for DIN rail mounting
Dimensions & Weight:		135mm x 83mm x 62mm / 690 grams.
Country of Origin:		United Kingdom

### Order Codes

	24V~ output	Relay coils	Enclosure	Fan relay contacts	
AX-FRM4-D30ET	30VA	24V~	DIN rail mount	Switched live	1 independent relay

© Copyright Annicom. All Rights Reserved

#### Annicom Ltd

Unit 21, Highview, Bordon, Hampshire. GU35 0AX

Tel: +44 (0)1420 487788 Fax: +44 (0)1420 487799

Email: sales@annicom.com Website: www.annicom.com

### Installation

This range of modules should be installed by a suitably qualified technician in conjunction with any guidelines for the equipment it is to be connected to and any local regulations. Field wiring should be installed to satisfy the requirements set out by the manufacturer of the equipment that the module is being connected to.

### Connections

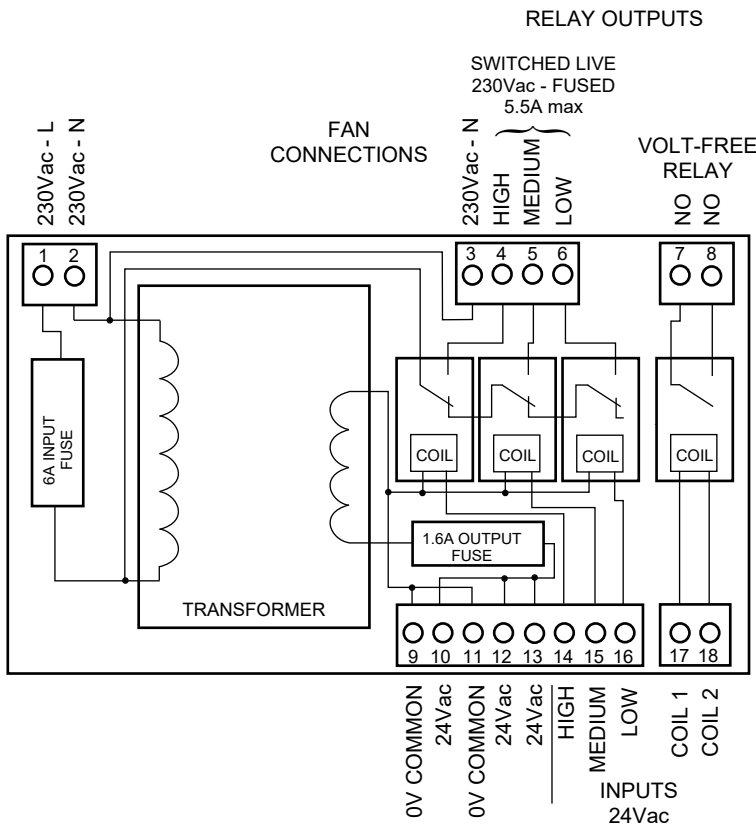
If more than one fan speed is selected simultaneously, the highest fan speed will have precedence.

### Datasheet Contents

Every effort has been taken in the production of this data sheet to ensure accuracy. Axio do not accept responsibility for any damage, expense, injury, loss or consequential loss resulting from any errors or omissions. Axio has a policy of continuous improvement and reserves the right to change this specification without notice.

### Disclaimer

The dimensions, weight & photograph contained on page 1 of this datasheet is subject to change due to continuous product development and may not accurately represent the final design of this product.



The Fan relay outputs have a common connection terminal to the Neutral supply. The switched output terminals are all switched from the fused Live supply.

The Fan relay coil connections all share the '0V Common' connection of the transformer.

The additional relay output is volt free. The coil shares no common connections.