

AX-FRM3

Fan Speed Relay Module

AXIO



Product Overview

The AX-FRM3 is an interlocked, three relay module. Intended for use as a fan speed switch, the unit can be used to change fan speeds on fan motors with multi-tapped windings and also transformer speed controlled motors. The 'change-over' design of the relay contact configuration and common switching point ensure that the only one set of contacts is active at any one time, thus preventing short circuits. Versions are available with 230Vac or 24Vac coils, and supplied in either DIN rail mount or plant housing.

Features

- Interlocked relays allow only one output on at a time
- Low and high voltage relay coil options
- Enclosure options - DIN rail or IP65 enclosed
- Switches up to 12 Amps

Product Specifications

Inputs	230Vac or 24Vac options
Outputs	Common and 3 volt-free contact switched outputs
Contact Rating	12A @250Vac resistive (Inductive current depends on load - typically 5A inductive)
Terminals	Rising clamp for 0.5-2.5mm ² cable
Dimensions - DIN Rail Version	47 x 77 x 49mm (max.) Fits on to standard TS35 DIN rail section
Dimensions - Enclosed Version	92mm diameter x 52mm height
Weight - DIN Rail Version	80gms
Weight - Enclosed Version	170gms
Fixing Holes - Enclosed Version	4mm holes on 92mm centres
Housing - Enclosed Version	IP65 flame retardant ABS
Ambient Temperature	0 to 50°C
Country of Origin	United Kingdom

Order Codes

AX-FRM3-230	Fan Speed Relay Module 230Vac - DIN Rail
AX-FRM3-24	Fan Speed Relay Module 24Vac - DIN Rail
AX-FRM3-230E	Fan Speed Relay Module 230Vac - Enclosure Mounted
AX-FRM3-24E	Fan Speed Relay Module 24Vac - Enclosure Mounted

© Copyright Annicom. All Rights Reserved

Annicom Ltd

Unit 21, Highview, Bordon, Hampshire. GU35 0AX

Tel: +44 (0)1420 487788 Fax: +44 (0)1420 487799

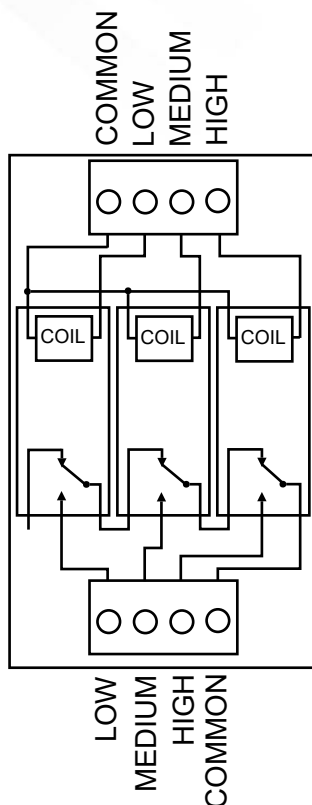
Email: sales@annicom.com Website: www.annicom.com

Installation

The AX-FRM3 should be installed by suitably qualified technician in conjunction with any guidelines for the equipment it is to be connected to and any local regulations. Field wiring should be installed to satisfy the requirements set out by the manufacturer of the equipment that the module is being connected to.

Description and Connections

INPUTS: COIL CONNECTIONS



OUTPUTS: FAN CONNECTIONS

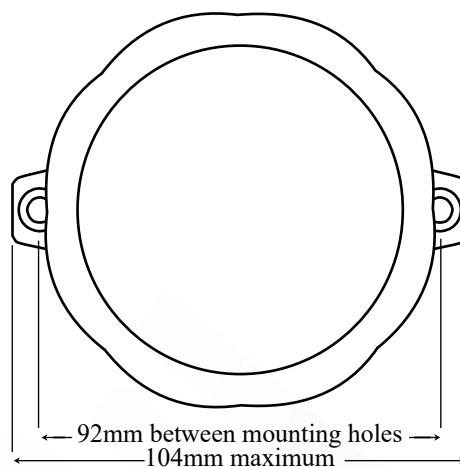
Wiring to the input terminals is the same for all modules. Ensure that the voltage is correct for the AX-FRM3 in use (230Vac Standard).

If more than one fan speed becomes live simultaneously, the highest fan speed will have precedence.

Connections for a fan motor with multi-tapped windings: Connect the 'Output Common' terminal to the live supply, and then connect the fan windings to the relevant Output Low, Medium and High terminals.

Connections for the transformer based speed control: Connect the transformers windings to the relevant Output Low, Medium and High terminals and connect the 'Output Common' terminal to the fan live supply.

Fixing details for enclosed version



Datasheet Contents

Every effort has been taken in the production of this data sheet to ensure accuracy. Axio do not accept responsibility for any damage, expense, injury, loss or consequential loss resulting from any errors or omissions. Axio has a policy of continuous improvement and reserves the right to change this specification without notice.