



AX-ET-1L-230



AX-ET-1L-24

Product Overview

The Axio AX-ET-1L single stage electronic thermostats include a two line LCD display and are used for monitoring and controlling temperature between -10°C to +110°C. The units control either heating or cooling in response to the temperature. The minimum and maximum temperature values are stored for display via the menu. The set point can be adjusted on the PCB or via an external 1-11kΩ potentiometer. A setback input is provided for use with an external switch. The AX-ET-1L is provided in a DIN rail carrier and is available as 24Vac/dc or 230Vac powered versions.

Features

- Setpoint range -10°C to +110°C
- Adjustable differential
- Setback input for use with an external time switch
- LCD display of temperature, setpoint
- Resettable Min/Max temperature monitoring
- Adjustable minimum cycle time
- 24Vac/dc or 230Vac versions
- High quality rising clamp terminals

Product Specifications

Power Supply	AX-ET-1L-24	24Vac 160mA, 24Vdc 70mA (Voltages ±15%, Currents maximum)
	AX-ET-1L-230	230Vac ±15%
Inputs	Sensor: 10K3A1 (See Axio temperature sensor range)	
	Remote Setpoint: 1-11kΩ (±4°C or ±20°C)	
	Setback: VFC input (Close contact to activate setback)	
LCD Display	2 lines by 8 characters	
Temperature Range	-20°C to +120°C	
Setpoint Range	-10°C to +110°C	
Differential	0.4 to 12°C	
Setback Range	0 to 30°C	
Minimum Cycle Time	2 to 250 seconds	
Output Contacts	SPCO Relay - NO contact 5A, NC contact 3A at 250Vac, resistive load	
Terminals	Rising clamp for 0.5-2.5mm ² cable	
Dimensions & Weight	AX-ET-1L-24	68(W) x 82(H) x 48(D)mm / 86gms
	AX-ET-1L-230	80(W) x 82(H) x 55(D)mm / 183gms
Ambient Temperature Range	0 to 50°C	
Country of Origin	United Kingdom	

Order Codes

AX-ET-1L-24	Single Stage Electronic Thermostat - 24Vac/dc
AX-ET-1L-230	Single Stage Electronic Thermostat - 230Vac

© Copyright Annicom. All Rights Reserved

Annicom Ltd

Unit 21, Highview, Bordon, Hampshire. GU35 0AX

Tel: +44 (0)1420 487788 Fax: +44 (0)1420 487799

Email: sales@annicom.com Website: www.annicom.com

AX-ET-1L

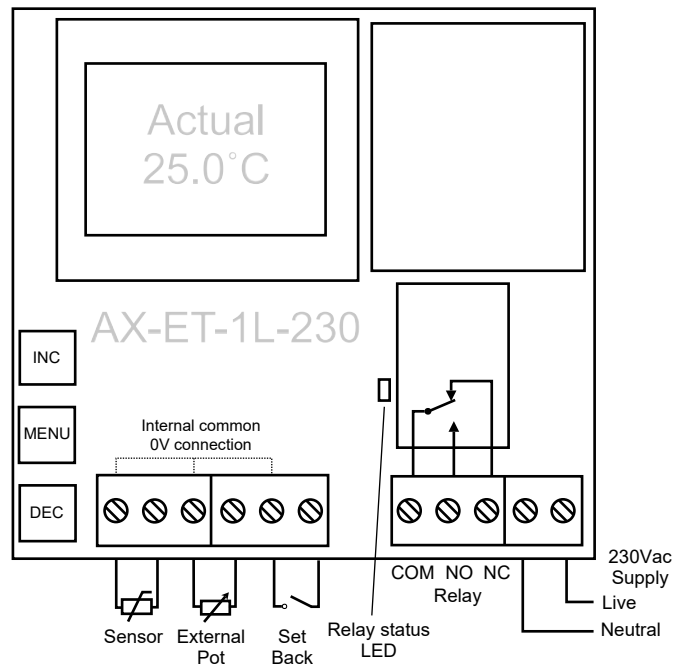
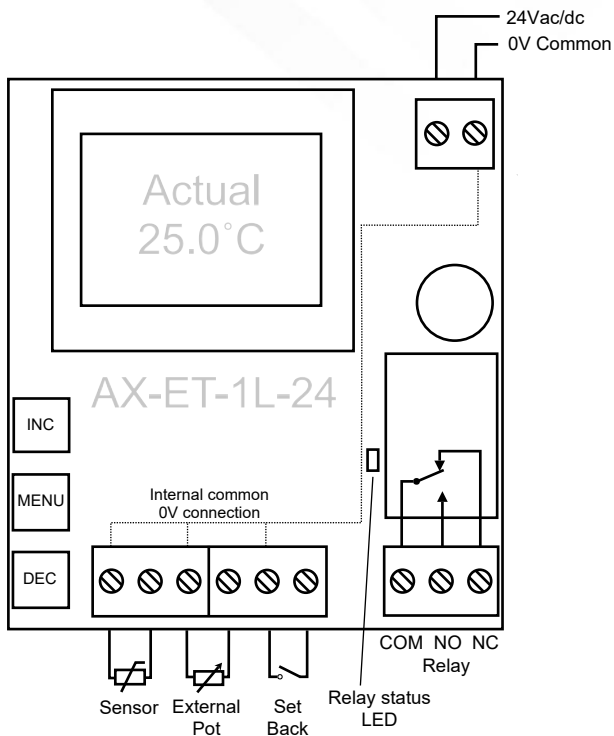
Electronic Thermostat - Single stage - LCD



Installation

The AX-ET-1L should be installed by suitably qualified technician in conjunction with any guidelines for the equipment it is to be connected to and any local regulations. Field wiring should be installed to satisfy the requirements set out by the manufacturer of the equipment that the module is being connected to.

Description and Connections



Menu

Pressing MENU will scroll the display through the Actual, Setpoint, Minimum and Maximum displays.

Temperature Setpoint

When the display shows the Setpoint press INC or DEC to adjust the setpoint

Heating mode

The relay will switch on when the temperature falls below the setpoint - differential and will switch off when the temperature rises to the setpoint.

Cooling mode

The relay will switch on when the temperature rises above the setpoint + differential and will switch off when the temperature falls to the setpoint.

Setback

To activate the setback close the contact across the setback terminals, the display will show Actual Sb. When Setback is active it will reduce the heating setpoint or increase the cooling setpoint.

Remote potentiometer

Select the required range, $\pm 4^{\circ}\text{C}$, $\pm 20^{\circ}\text{C}$ using the setup mode and connect a 1-11k Ω potentiometer across the External Pot terminals. The setpoint display will show SP with EP and will show the adjusted setpoint value.

Minimum and maximum temperature

The minimum and maximum sensor temperature values are stored by the AX-ET-1L until power is removed. When the display shows the Minimum temperature hold DEC down for 2 seconds the rest the minimum value. When the display shows the Maximum temperature hold INC down for 2 seconds to rest the maximum value.

Minimum cycle time

This function prevents over-cycling of the output. If, for example, it is required to limit this number of switch on actions to two per minute then setting the minimum cycle time to 30 seconds will set a minimum 30 second delay between any two switch on actions.

Setup mode

Press and hold MENU for 10 seconds to gain access to the setup mode. Subsequent presses of MENU scroll through the options

Selection	Options / Range
Stage select	Heat or Cool
Differential	0.4 to 12°C
Setback	0 to 10°C
External Pot	None, ±4°C, 20°C
Min Cycle	2-250 Seconds

Press INC or DEC to adjust parameters.

Saving

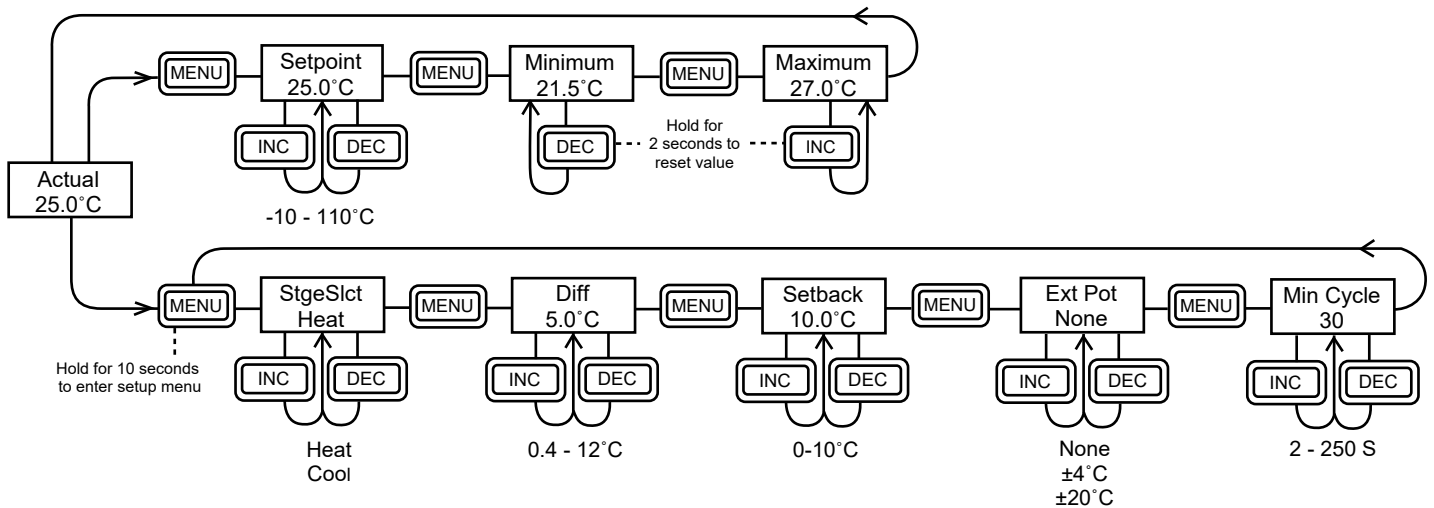
When in the Setup mode and no buttons are pressed for 5 seconds the display reverts to the actual temperature reading and saves the new setting.

Back-light

The back-light on the LCD display switches on when any of the buttons are pressed and remains on for 10 seconds after the last button has been pressed. The back-light will switch off if it has been continuously on for 2 minutes.

Fault indication

If the sensor or external potentiometer, when selected, are open or short circuit the display will show a fault message. Additionally the back-light will flash.



Every effort has been taken in the production of this data sheet to ensure accuracy. Axio do not accept responsibility for any damage, expense, injury, loss or consequential loss resulting from any errors or omissions. Axio has a policy of continuous improvement and reserves the right to change this specification without notice.