



Product Overview

The AX-E05K Series Controller is a stand-alone, microprocessor based Controller with x icons and 4-digit LCD display. The Controllers are designed to control the fans, valves, compressors or electric heaters in fan-coil unit and air-conditioner applications. The models are available for heating or cooling Raise/Lower or Proportional control of 2-pipe or 4-pipe fan-coil units requiring analogue inputs.

Features

- Proportional and Integral Algorithm
- Intuitive User Interface
- For two or four pipe fan coil applications
- Remote sensor option
- Accurate Temperature Control
- Heating / Cooling and 3 speed fan output

Product Specifications

Operating Voltage:	230Vac 50/60Hz (+/- 15%)
Power Consumption:	6VA (without load)
Occupied Temperature Setting:	0 to 55°C
Setpoint Range:	10 to 30°C default 23°C
Setpoint Resolution:	0.5°C
LCD:	4 digit 6 Icons Backlight
LCD Size:	44x25mm
Display Resolution:	0.2°C
Output: depends on unit	Raise/Lower 1A(1)@230Vac 0 to 10 Vdc modulating 5mA
Fan Switch:	Three Speed Fan Switch 1A(1)@230Vac
Mode Switch:	Cool -Off- Heat
Control Performance:	Adjustable Proportional plus Integral (PI) Control
Connections:	Screw in terminals suitable for 1.5mm ² wires
Temperature Sensor:	10K3A1 Thermistor can be remote (see J3)
Mounting:	Wall mounting , standard single gang back box.
Dimensions:	86(W) x 86(H) x 16.5mm (D)

Order Codes

AX-E05KF	Heating or Cooling Raise Lower Fan Coil Controller
AX-E05KU	Heating or Cooling Raise Lower and Modulating Fan Coil Controller
AX-E05KP	Heating or Cooling Modulating Fan Coil Controller

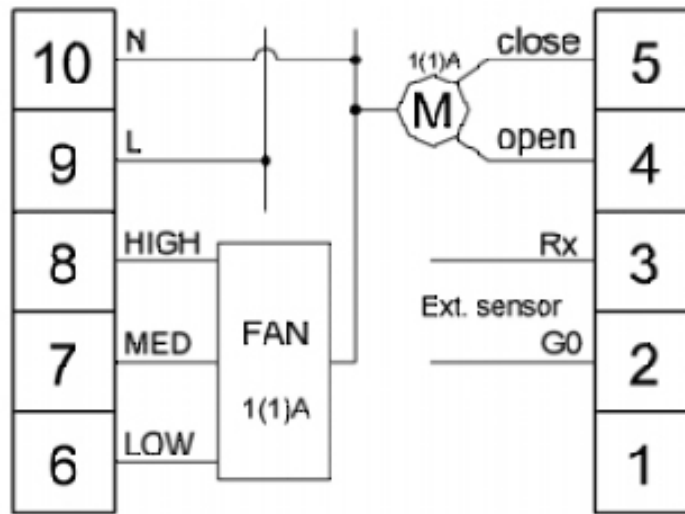
Installation

IMPORTANT, PLEASE READ CAREFULLY

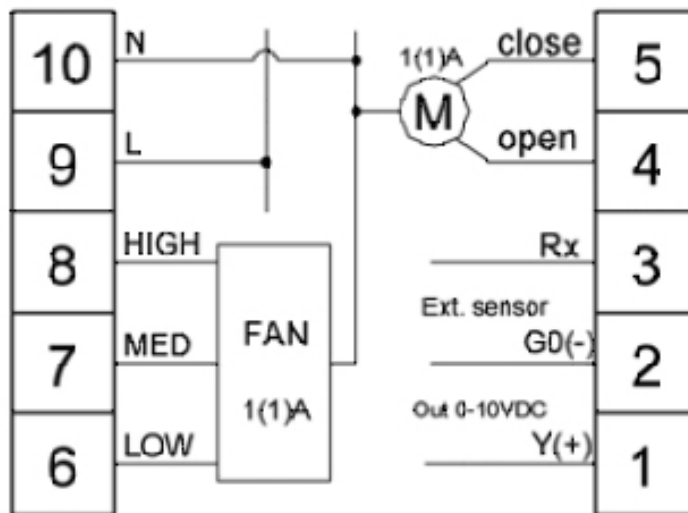
A qualified electrician should always be employed to install this unit.
Current safety regulations must be observed.
Under no circumstances should electrical connections be made whilst power is applied to the unit.

Connection Details

AX-E05KF

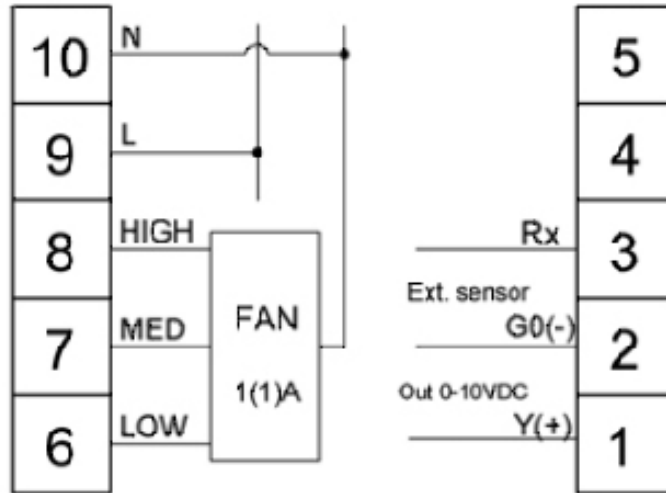


AX-E05KU



Every effort has been taken in the production of this data sheet to ensure it's accuracy. Axio can not, however, accept responsibility for any damage, expense, injury, loss or consequential loss resulting from any errors or omissions. Axio has a policy of continuous improvement and reserves the right to change this specification without notice.

AX-E05KP



Dimensions and Fixing

