



Product Overview

The AX-E022 Series Room Thermostat with heat/cool and 3 speed fan switch and a LCD display. The Thermostats are designed to control the fans, valves, compressors or electric heaters in fan-coil unit and air-conditioner applications. The models are available for heating or cooling control of 2-pipe or 4-pipe fan-coil units requiring on/off inputs.

Features

- Hard Flameproof Housing
- Heat / Off/ Cool Switch
- For two or four pipe fan coil applications
- Three Speed Fan Switch
- Accurate Temperature Control
- LCD Display of Room Temperature

Product Specifications

Operating Voltage:	230Vac 50/60Hz (+/- 15%)
Sensitive Element:	Unipolar Gas Filled Bellows
Occupied Temperature Setting:	0 to 40°C
Setpoint Range:	10 to 30°C
LCD:	4 digit
LCD Size:	26 x 13mm
Display Resolution:	0.2°C
Output:	A/B 2 Pipe 1A@250Vac
	C 4 Pipe 2 x 1A@250Vac
Fan Switch:	A and C only 6A(2)@230Vac
Mode Switch:	Heat -Off- Cool
Connections:	Screw in terminals suitable for 1.5mm ² wires
Mounting:	Wall mounting , standard single gang back box.
Dimensions:	92(W) x 92(H) x 31mm (D)

Order Codes

AX-E022-A	Heating or Cooling Fan Coil Thermostat + 3 Speed Fan switch
AX-E022-B	Heating or Cooling Fan Coil Thermostat + On/Off switch
AX-E022-C	Heating and Cooling Fan Coil Thermostat + 3 Speed Fan switch

Installation

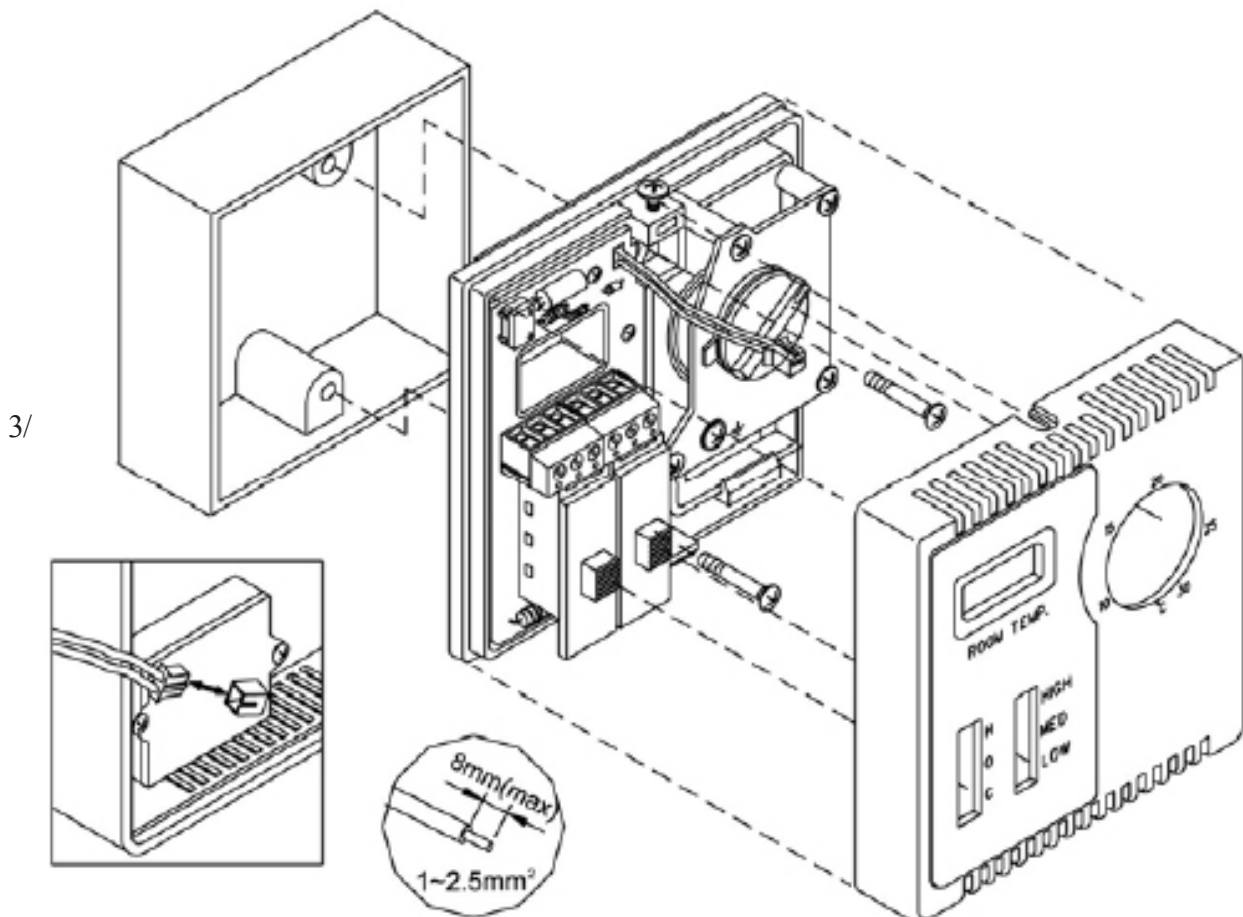
IMPORTANT, PLEASE READ CAREFULLY

A qualified electrician should always be employed to install this unit.

Current safety regulations must be observed.

Under no circumstances should electrical connections be made whilst power is applied to the unit.

- 1/ Mount the unit vertically on the wall about 1.5m above the floor, in a position with good airflow and not in direct sunlight, not near a heat source or fan.
- 2/ Loosen the screw on the top of the cover, remove the cover according to the Installation diagram below. note; there are connecting wires inside so do not use too much force, carefully remove the LCD plug connector and pass the wire through the hole in the base.
- 3/ Fix the base to the back box with screws (standard 86 x 86 x 32 back box)
- 4/ Connect up as per the wiring diagrams
- 5/ Refit the LCD connector (bulge side is up)
- 6/ Refit the cover



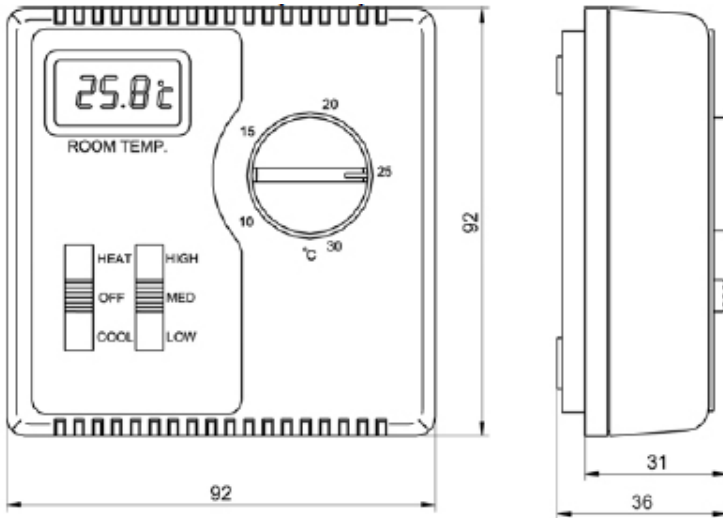
Every effort has been taken in the production of this data sheet to ensure it's accuracy. Axio can not, however, accept responsibility for any damage, expense, injury, loss or consequential loss resulting from any errors or omissions. Axio has a policy of continuous improvement and reserves the right to change this specification without notice.

AX-E022

Mechanical Room Thermostat with Display

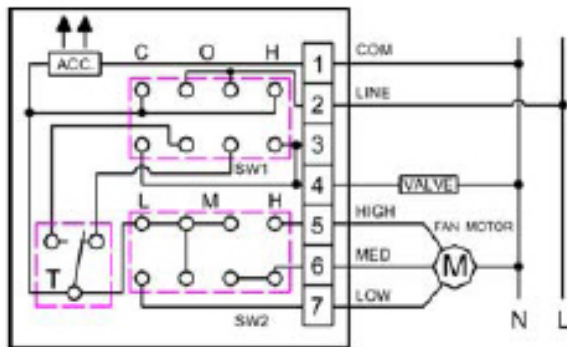


Dimensions and Fixing

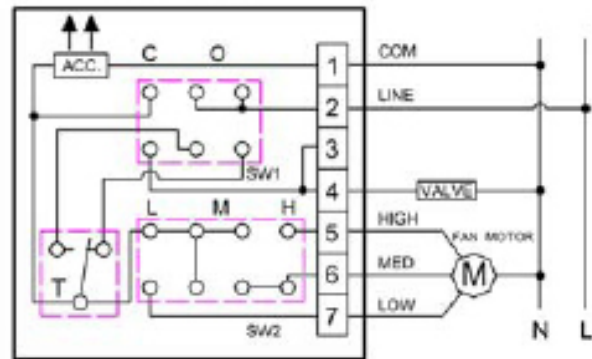


Connection Details

AX-E022-A



AX-E022-B



AX-E022-C

